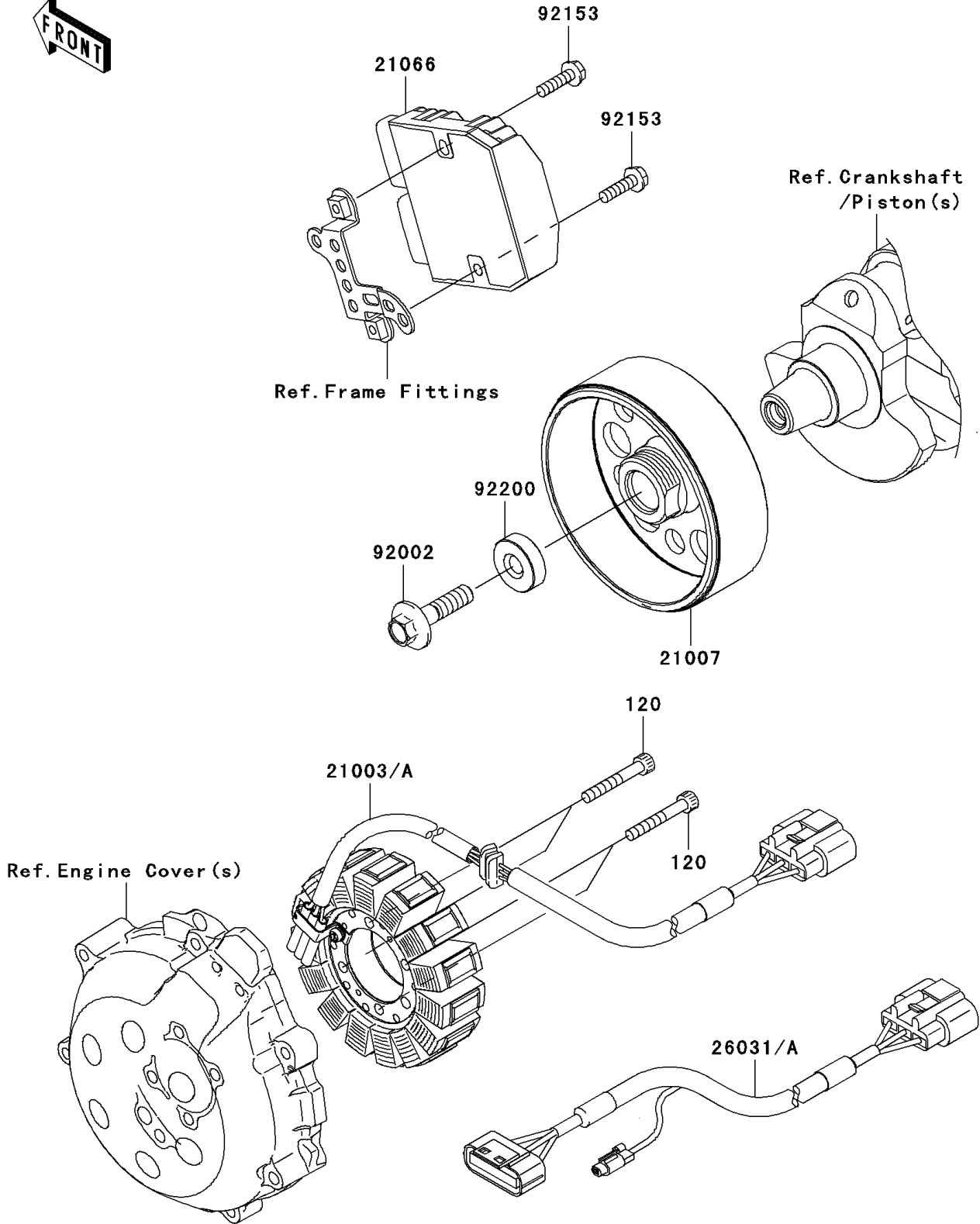


2007 Ninja® ZX™-14 PARTS DIAGRAM

Generator

E1810



2007 Ninja® ZX™-14 PARTS LIST

Generator

ITEM NAME	PART NUMBER	QUANTITY
BOLT-SOCKET,6X40 (Ref # 120)	120CA0640	4
STATOR (Ref # 21003A)	21003-0059	1
ROTOR (Ref # 21007)	21007-0067	1
REGULATOR-VOLTAGE (Ref # 21066)	21066-0008	1
HARNESS (Ref # 26031A)	26031-0506	1
BOLT,FLANGED,10X40 (Ref # 92002)	92002-1296	1
BOLT,FLANGED,6X22 (Ref # 92153)	92153-1598	2
WASHER (Ref # 92200)	92200-1241	1