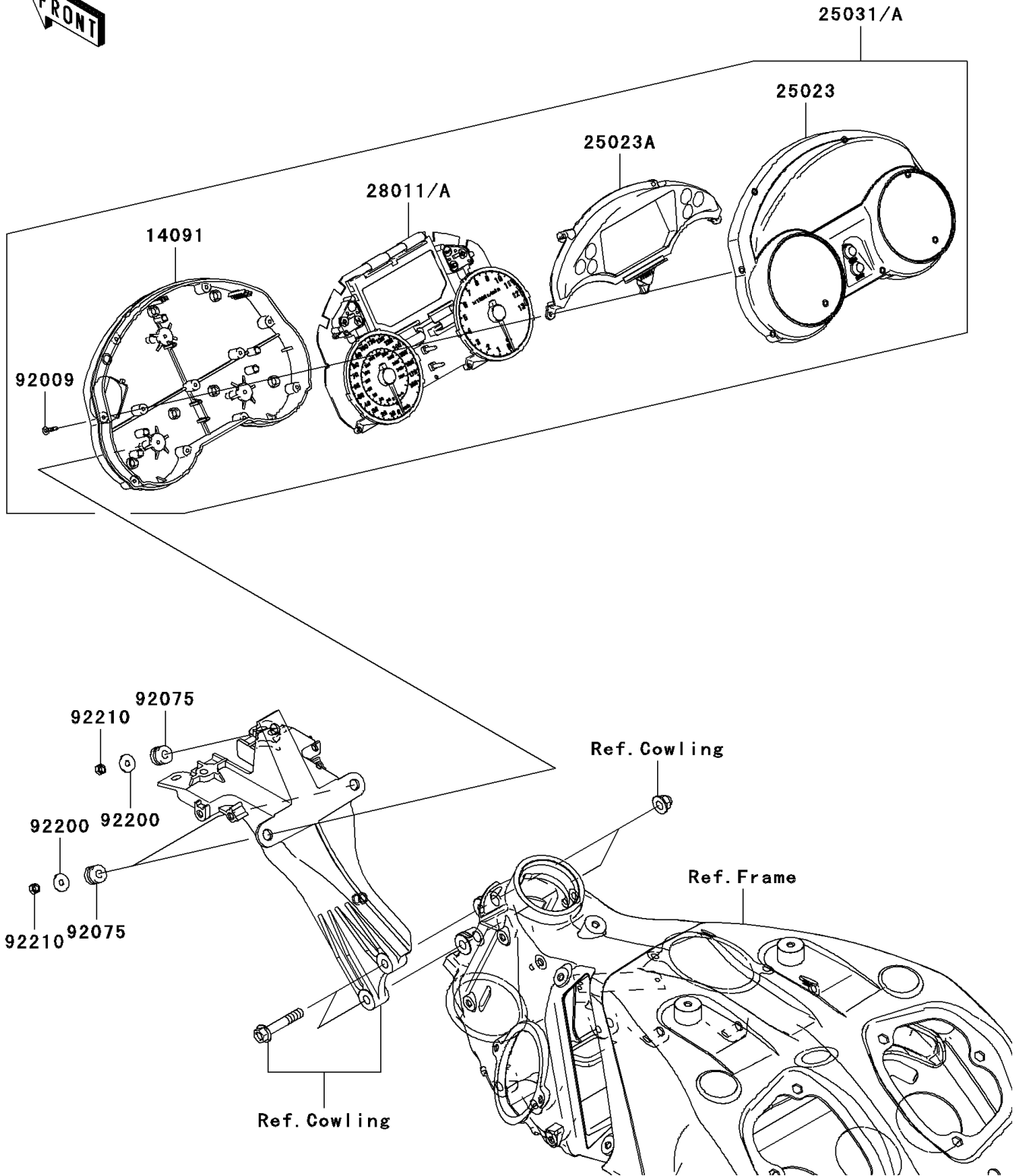


2006 Ninja® ZX™-14 PARTS DIAGRAM

Meter(s)

F2530



2006 Ninja® ZX™-14 PARTS LIST

Meter(s)

| ITEM NAME | PART NUMBER | QUANTITY |
|---|-------------|----------|
| COVER,METER,LWR (Ref # 14091) | 14091-0546 | 1 |
| COVER-METER CASE,UPP (Ref # 25023) | 25023-0020 | 1 |
| COVER-METER CASE,VISOR (Ref # 25023A) | 25023-0021 | 1 |
| METER-ASSY,SPEED&TACHO&LCD (Ref # 25031A) | 25031-0097 | 1 |
| METER,SPEED&TACHO&LCD (Ref # 28011A) | 28011-0055 | 1 |
| SCREW,TAPPING,3X16 (Ref # 92009) | 92009-1164 | 11 |
| DAMPER (Ref # 92075) | 92075-1435 | 3 |
| WASHER (Ref # 92200) | 92200-0288 | 3 |
| NUT,5MM (Ref # 92210) | 92210-0290 | 3 |