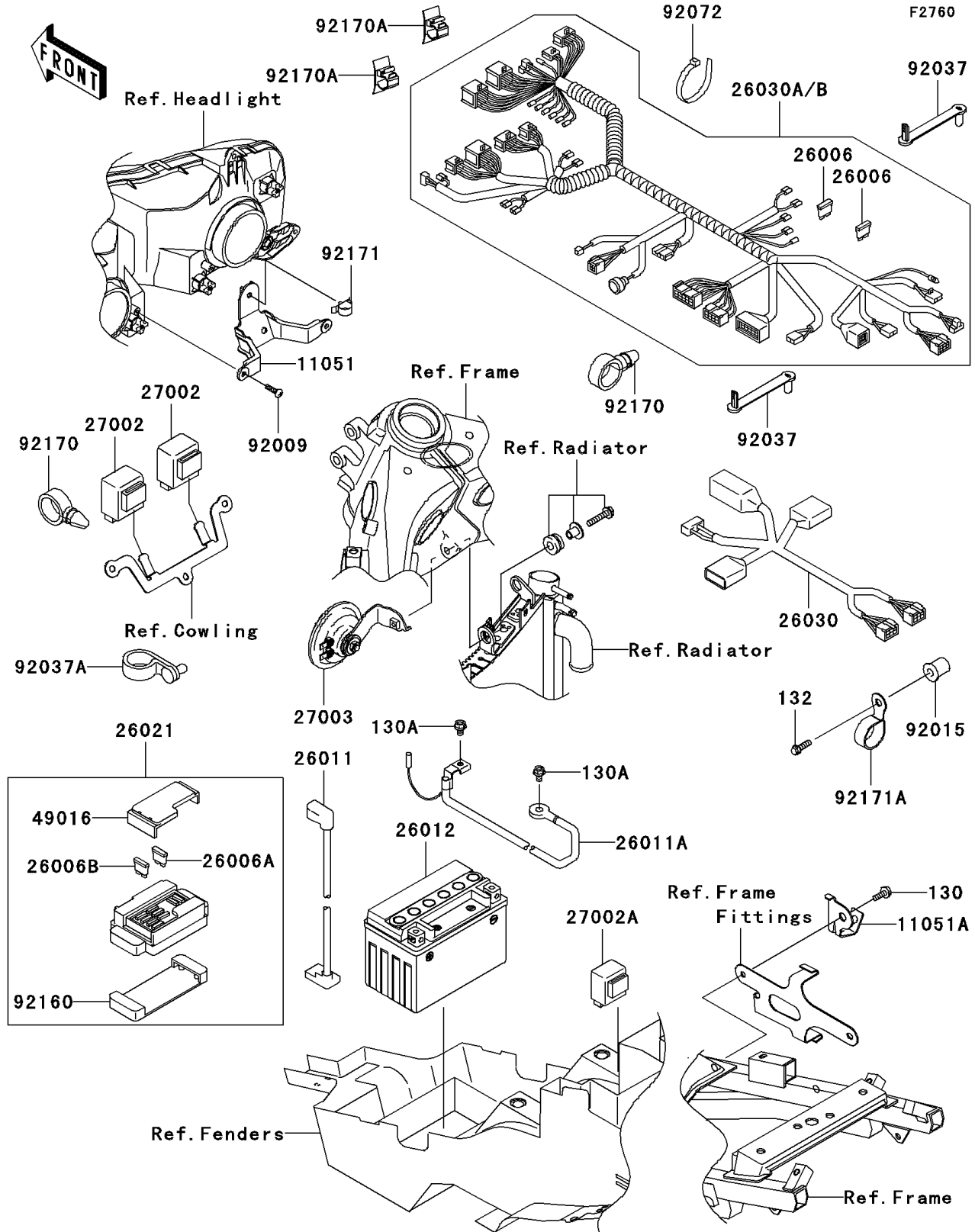


2007 ZZR600 PARTS DIAGRAM

Chassis Electrical Equipment



2007 ZZR600 PARTS LIST

Chassis Electrical Equipment

ITEM NAME	PART NUMBER	QUANTITY
BOLT-FLANGED,6X16 (Ref # 130)	130J0616	1
BOLT-FLANGED,6X10 (Ref # 130A)	130V0610	2
BOLT-FLANGED-SMALL,6X20 (Ref # 132)	132J0620	1
BRACKET,HEAD LAMP (Ref # 11051)	11051-1827	1
BRACKET,FUSE (Ref # 11051A)	11051-1915	1
FUSE,20A-Y (Ref # 26006)	26006-1051	2
FUSE,30A-G (Ref # 26006A)	26006-1067	1
FUSE,10A-R (Ref # 26006B)	26006-1068	8
WIRE-LEAD,BATTERY(+) (Ref # 26011)	26011-1767	1
WIRE-LEAD,BATTERY(-) (Ref # 26011A)	26011-1768	1
BATTERY,YTX9-BS,12V 8AH (Ref # 26012)	26012-0088	1
JUNCTION BOX (Ref # 26021)	26021-1096	1
HARNESS,FR (Ref # 26030)	26030-1779	1
RELAY-ASSY (Ref # 27002)	27002-1086	2
RELAY-ASSY,TURN SIGNAL (Ref # 27002A)	27002-1101	1
HORN (Ref # 27003)	27003-1421	1
COVER-SEAL,FUSE (Ref # 49016)	49016-1177	1
SCREW,TAPPING,5X14 (Ref # 92009)	92009-1197	2
NUT (Ref # 92015)	92015-1700	1
CLAMP,SPEED,L=58 (Ref # 92037)	92037-1163	2
CLAMP,SPEED,L=80.5 (Ref # 92037A)	92037-1903	1
BAND,L=202 (Ref # 92072)	92072-1195	1
DAMPER,JUNCTION BOX (Ref # 92160)	92160-1650	1
CLAMP (Ref # 92170)	92170-1067	2
CLAMP,HARNESS (Ref # 92170A)	92170-1494	2
CLAMP,HARNESS (Ref # 92171)	92171-1269	1
CLAMP (Ref # 92171A)	92171-1279	1
HARNESS,MAIN (Ref # 26030A)	26030-1827	1
HARNESS,MAIN (Ref # 26030B)	26030-1828	1