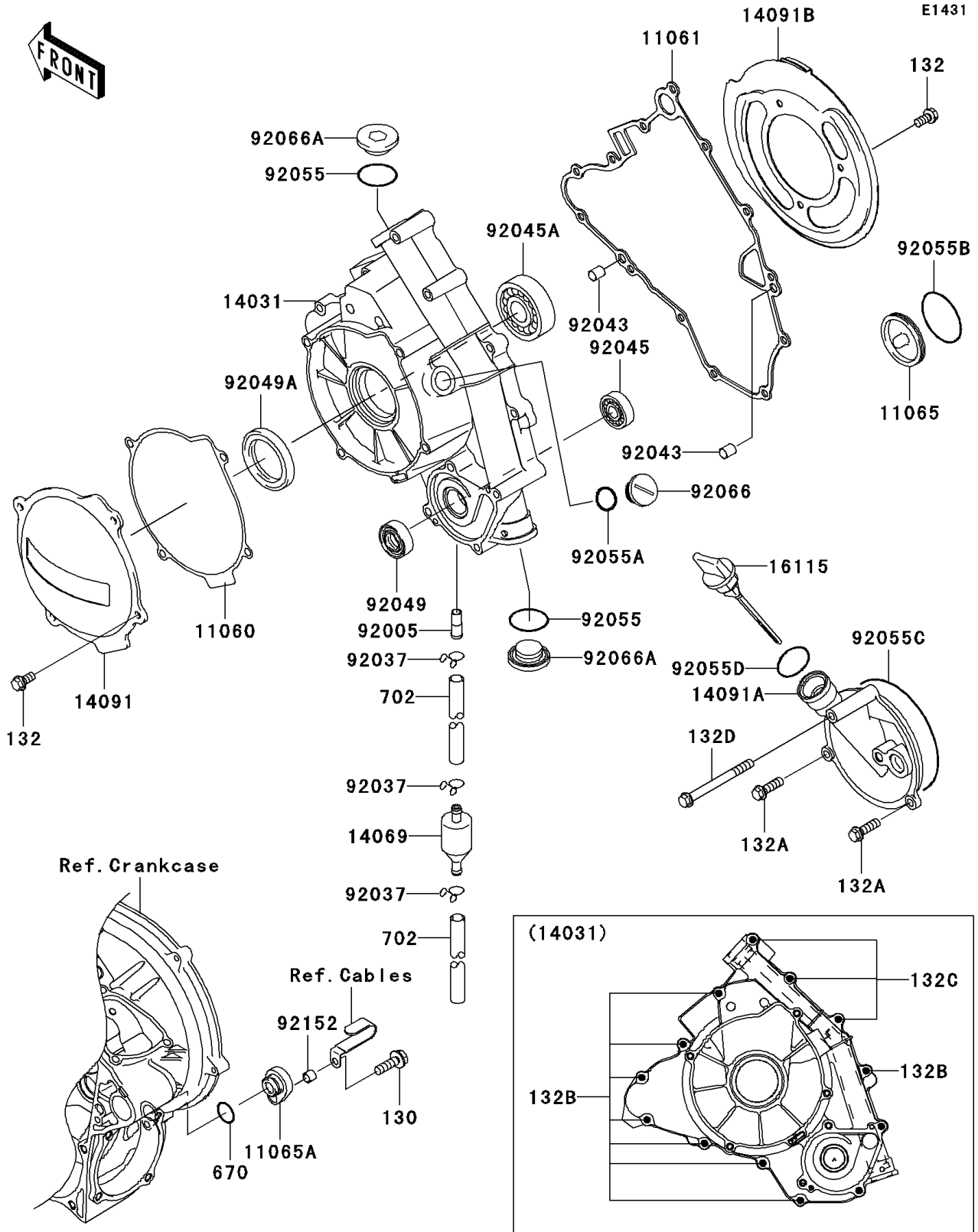


2004 KFX700 V Force PARTS DIAGRAM

Engine Cover(s)



2004 KFX700 V Force PARTS LIST

Engine Cover(s)

ITEM NAME	PART NUMBER	QUANTITY
BOLT-FLANGED (Ref # 130)	130Z0620	1
BOLT-FLANGED-SMALL (Ref # 132)	132Y0612	7
BOLT-FLANGED-SMALL (Ref # 132A)	132Y0620	2
BOLT-FLANGED-SMALL (Ref # 132B)	132Y0630	8
BOLT-FLANGED-SMALL (Ref # 132C)	132Y0655	3
BOLT-FLANGED-SMALL (Ref # 132D)	132Y0665	1
O RING,14MM (Ref # 670)	670D2014	1
TUBE-RUBBER (Ref # 702)	702A07035	2
GASKET,BLANK (Ref # 11060)	11060-1717	1
GASKET (Ref # 11061)	11061-1119	1
CAP (Ref # 11065)	11065-1151	1
CAP,OIL COVER (Ref # 11065A)	11065-1252	1
COVER-GENERATOR (Ref # 14031)	14031-0030	1
BREATHER (Ref # 14069)	14069-1051	1
COVER,GENERATOR COVER (Ref # 14091)	14091-1538	1
COVER,OIL (Ref # 14091A)	14091-1543	1
COVER,BELT CONVERTER (Ref # 14091B)	14091-1571	1
CAP-OIL FILLER (Ref # 16115)	16115-0001	1
FITTING (Ref # 92005)	92005-1369	1
CLAMP,TUBE (Ref # 92037)	92037-147	3
PIN,6.2X8X14 (Ref # 92043)	92043-1263	2
BEARING-BALL,6901 (Ref # 92045)	92045-1246	1
BEARING-BALL (Ref # 92045A)	92045-1403	1
SEAL-OIL,AC037AE0 (Ref # 92049)	92049-1228	1
SEAL-OIL (Ref # 92049A)	92049-1576	1
RING-O,25.7X2.4 (Ref # 92055)	92055-1136	2
RING-O (Ref # 92055A)	92055-1146	1
RING-O,44.7X2.4 (Ref # 92055B)	92055-1279	1
RING-O (Ref # 92055C)	92055-1632	1

2004 KFX700 V Force PARTS LIST

Engine Cover(s)

ITEM NAME	PART NUMBER	QUANTITY
RING-O,20MM (Ref # 92055D)	92055-2185	1
PLUG,COVER (Ref # 92066)	92066-0011	1
PLUG,25X8 (Ref # 92066A)	92066-0012	2
COLLAR (Ref # 92152)	92152-1332	1