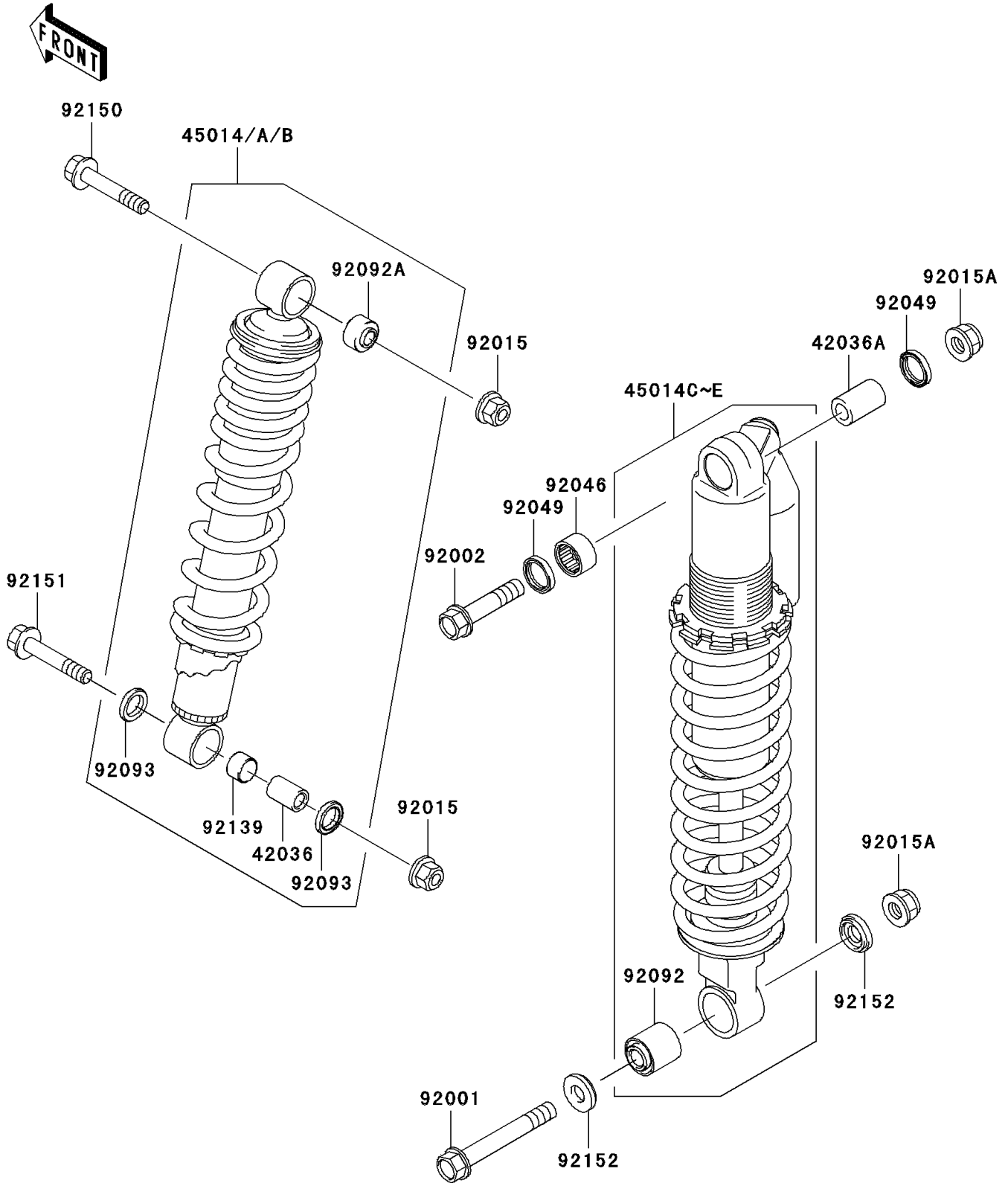


# 2004 KFX700 V Force PARTS DIAGRAM

Shock Absorber(s)

F2280



## 2004 KFX700 V Force PARTS LIST

### Shock Absorber(s)

| ITEM NAME                                  | PART NUMBER   | QUANTITY |
|--|---------------|----------|
| SLEEVE (Ref # 42036)                       | 42036-0012    | 2        |
| SLEEVE,12X20X32 (Ref # 42036A)             | 42036-1378    | 1        |
| SHOCKABSORBER,FR,L.GREEN (Ref # 45014)     | 45014-0004-CC | 2        |
| SHOCKABSORBER,FR,P.WHITE (Ref # 45014A)    | 45014-0004-EH | 2        |
| SHOCKABSORBER,RR,L.GREEN (Ref # 45014C)    | 45014-0005-CC | 1        |
| SHOCKABSORBER,RR,P.WHITE (Ref # 45014D)    | 45014-0005-EH | 1        |
| BOLT,FLANGED,12X88 (Ref # 92001)           | 92001-1693    | 1        |
| BOLT,FLANGED,12X55 (Ref # 92002)           | 92002-1840    | 1        |
| NUT,LOCK,10MM (Ref # 92015)                | 92015-1597    | 4        |
| NUT,FLANGED,LOCK,12MM (Ref # 92015A)       | 92015-1617    | 2        |
| BEARING-NEEDLE (Ref # 92046)               | 92046-1239    | 1        |
| SEAL-OIL,GD20X26X4 (Ref # 92049)           | 92049-1108    | 2        |
| BUSHING-RUBBER,SHOCKABSORBER (Ref # 92092) | 92092-1054    | 1        |
| BUSHING-RUBBER (Ref # 92092A)              | 92092-1079    | 2        |
| SEAL (Ref # 92093)                         | 92093-0010    | 4        |
| BUSHING (Ref # 92139)                      | 92139-0042    | 2        |
| BOLT,FLANGED,10X51 (Ref # 92150)           | 92150-1719    | 2        |
| BOLT,FLANGED,10X45 (Ref # 92151)           | 92151-1413    | 2        |
| COLLAR (Ref # 92152)                       | 92152-1293    | 2        |