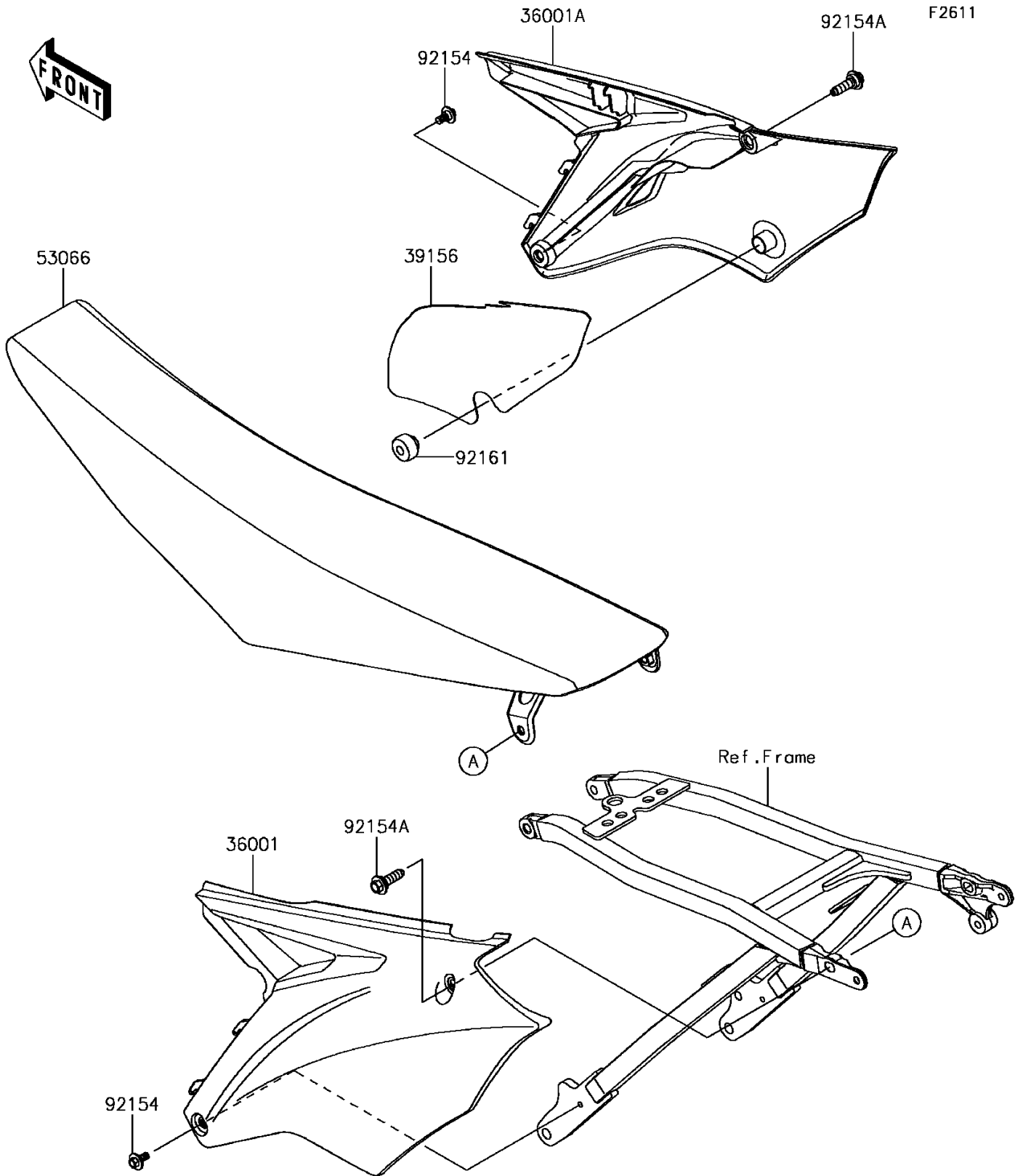


# 2017 KX™ 250F PARTS DIAGRAM

## Side Covers



# 2017 KX™ 250F PARTS LIST

Side Covers

ITEM NAME	PART NUMBER	QUANTITY
-----------	-------------	----------