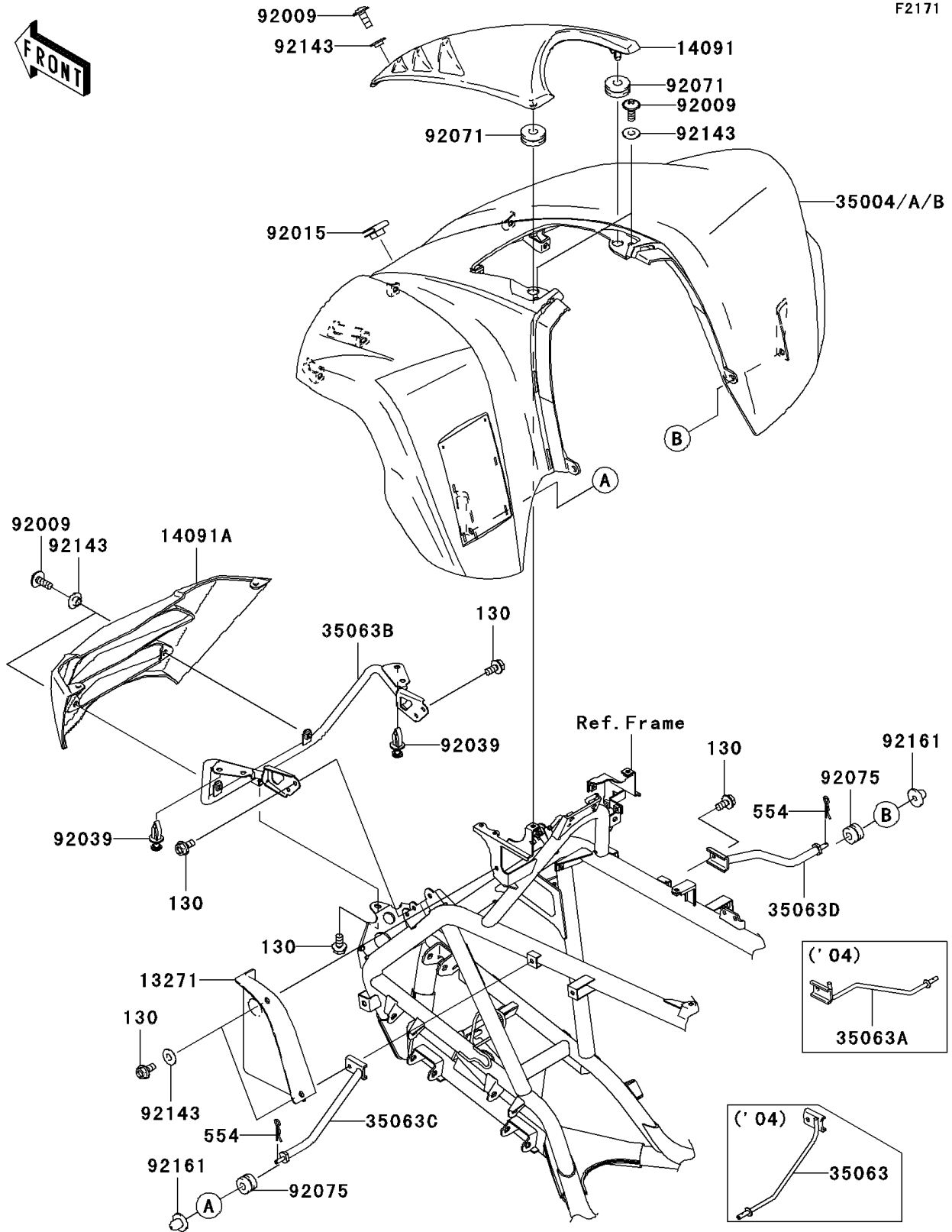


2004 KFX700 V Force PARTS DIAGRAM

Front Fender(s)

F2171



2004 KFX700 V Force PARTS LIST

Front Fender(s)

ITEM NAME	PART NUMBER	QUANTITY
BOLT-FLANGED (Ref # 130)	130J0612	8
PIN-SNAP (Ref # 554)	554A0600	2
PLATE,FRONT FENDER (Ref # 13271)	13271-0058	1
COVER,MAINTENANCE,BLACK (Ref # 14091)	14091-1511-6D	1
COVER,FRONT GRILL,F.BLACK (Ref # 14091A)	14091-1524-6Z	1
FENDER-FRONT,I.M.CARBON (Ref # 35004)	35004-0027-380	1
FENDER-FRONT,I.L.RED (Ref # 35004A)	35004-0027-383	1
STAY,FRONT FENDER,LH (Ref # 35063)	35063-0053	1
STAY,FRONT FENDER,RH (Ref # 35063A)	35063-0064	1
STAY,FRONT GRILL (Ref # 35063B)	35063-0067	1
SCREW,6X16 (Ref # 92009)	92009-1621	5
NUT,CLAMP,6MM (Ref # 92015)	92015-1678	1
RIVET (Ref # 92039)	92039-1229	2
GROMMET (Ref # 92071)	92071-1131	2
DAMPER (Ref # 92075)	92075-1435	2
COLLAR (Ref # 92143)	92143-1087	7
DAMPER (Ref # 92161)	92161-1160	2