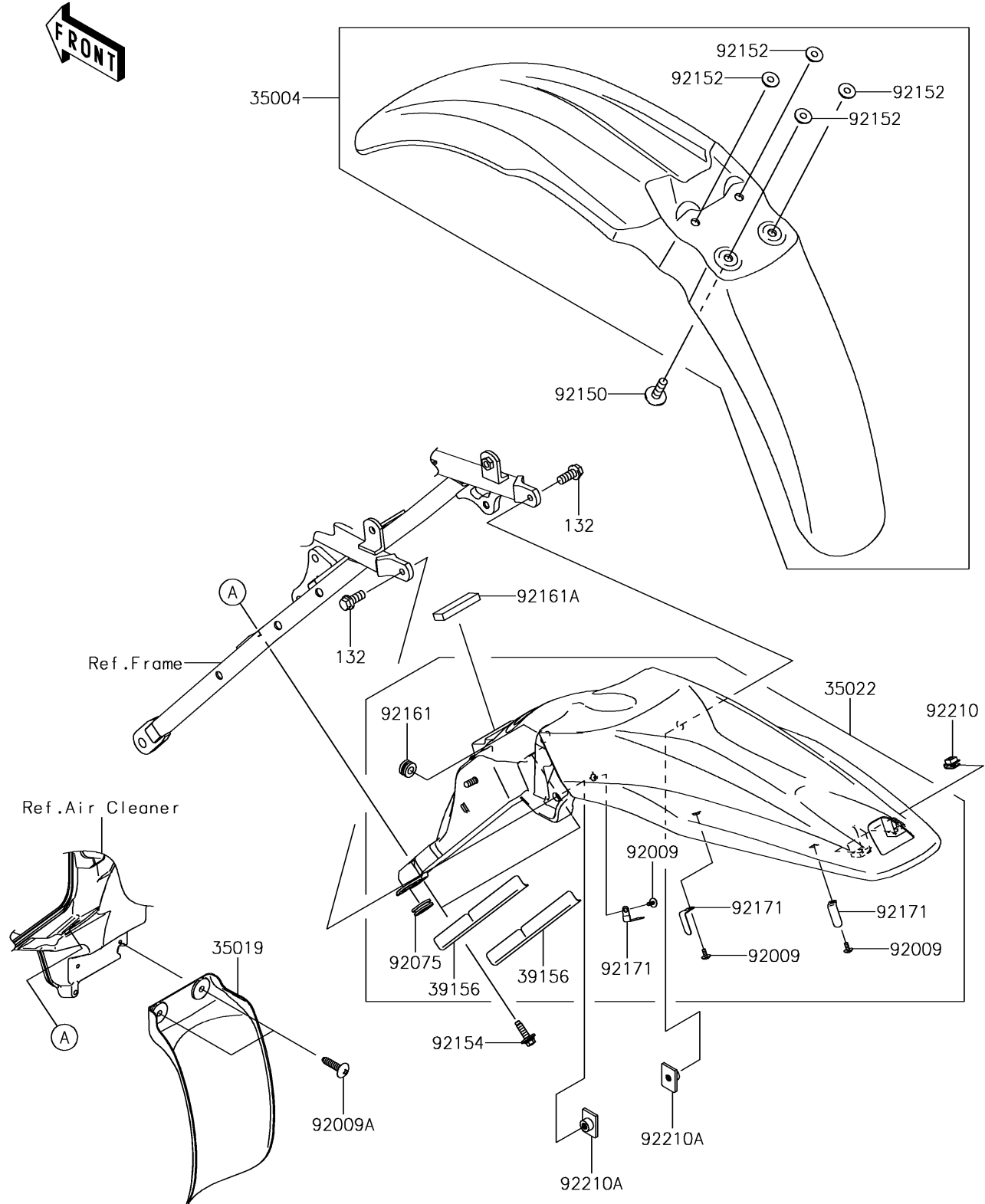


# 2018 KLX450R PARTS DIAGRAM

Fenders

F2170



## 2018 KLX450R PARTS LIST

### Fenders

ITEM NAME	PART NUMBER	QUANTITY
BOLT-FLANGED-SMALL,6X14 (Ref # 132)	132BA0614	2
FENDER-FRONT,L.GREEN (Ref # 35004)	35004-0078-290	1
FLAP,AIR FILTER (Ref # 35019)	35019-0050	1
FENDER-COMP-REAR,L.GREEN (Ref # 35022)	35022-0046-290	1
PAD (Ref # 39156)	39156-0335	2
SCREW,TAPPING,4X8 (Ref # 92009)	92009-1155	3
SCREW,TAPPING,5X20 (Ref # 92009A)	92009-1993	2
DAMPER (Ref # 92075)	92075-1912	1
BOLT,6X20 (Ref # 92150)	92150-1801	4
COLLAR (Ref # 92152)	92152-1422	4
BOLT,FLANGED,6X23 (Ref # 92154)	92154-0772	2
DAMPER (Ref # 92161)	92161-0279	1
DAMPER (Ref # 92161A)	92161-0457	1
CLAMP (Ref # 92171)	92171-0181	3
NUT,5MM (Ref # 92210)	92210-0351	2
NUT,PLATE,6MM (Ref # 92210A)	92210-1352	2