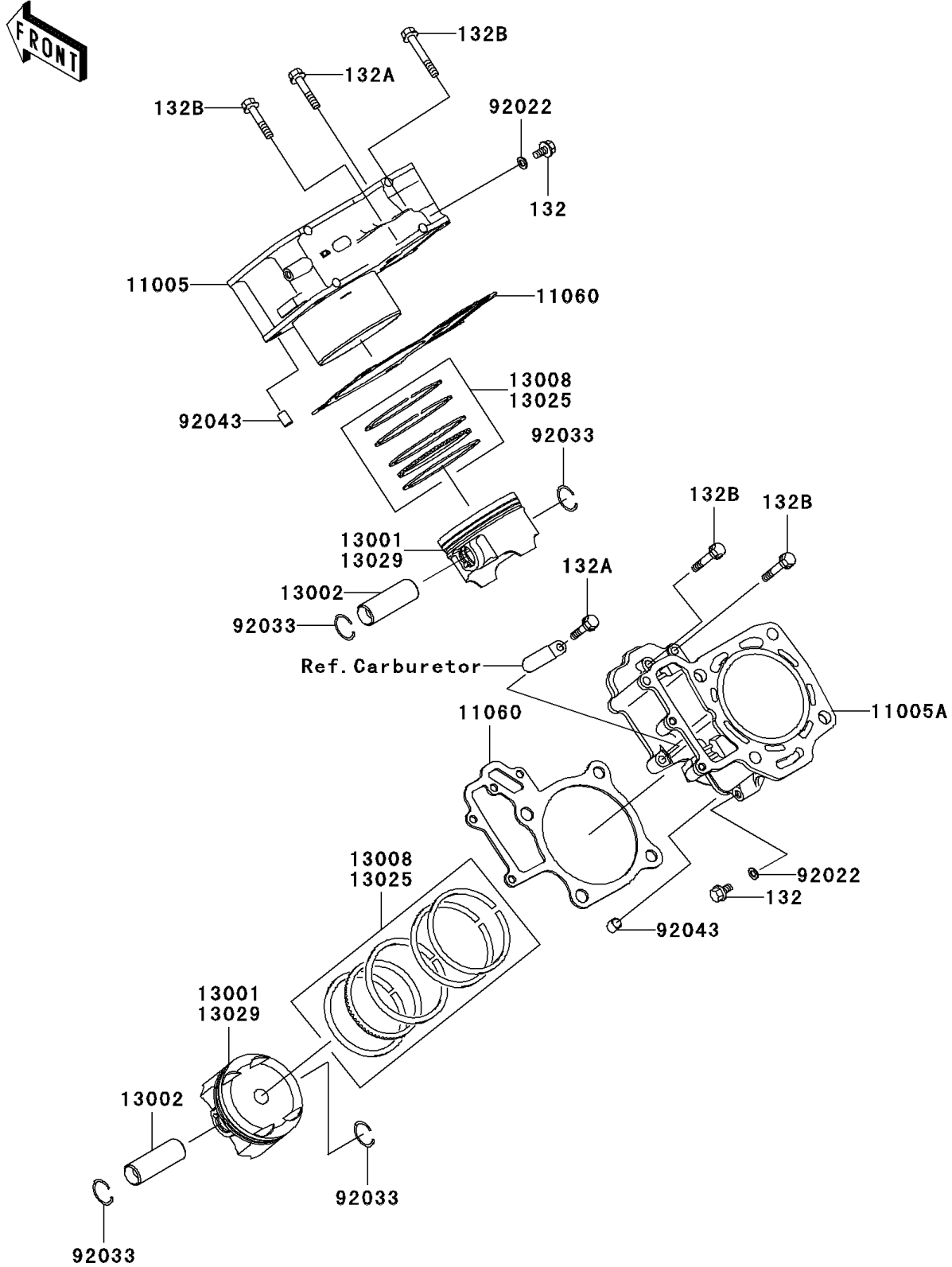


2006 KFX700 PARTS DIAGRAM

Cylinder/Piston(s)

E1120



2006 KFX700 PARTS LIST

Cylinder/Piston(s)

| ITEM NAME | PART NUMBER | QUANTITY |
|--|-------------|----------|
| BOLT-FLANGED-SMALL,6X12 (Ref # 132) | 132Y0612 | 2 |
| BOLT-FLANGED-SMALL,6X30 (Ref # 132A) | 132Y0630 | 2 |
| BOLT-FLANGED-SMALL,6X40 (Ref # 132B) | 132Y0640 | 4 |
| CYLINDER-ENGINE,FR (Ref # 11005) | 11005-1990 | 1 |
| CYLINDER-ENGINE,RR (Ref # 11005A) | 11005-1992 | 1 |
| GASKET,CYLINDER BASE (Ref # 11060) | 11060-1965 | 2 |
| PISTON-ENGINE,STD (Ref # 13001) | 13001-1658 | 2 |
| PIN-PISTON (Ref # 13002) | 13002-1060 | 2 |
| RING-SET-PISTON,STD (Ref # 13008) | 13008-1215 | 2 |
| RING-SET-PISTON L,O/S 0.50 (Ref # 13025) | 13025-0005 | AR |
| PISTON-ENGINE L,O/S 0.50 (Ref # 13029) | 13029-0007 | AR |
| WASHER,6.2X11X1 (Ref # 92022) | 92022-304 | 2 |
| RING-SNAP (Ref # 92033) | 92033-1207 | 4 |
| PIN,10.1X12X14 (Ref # 92043) | 92043-4009 | 4 |