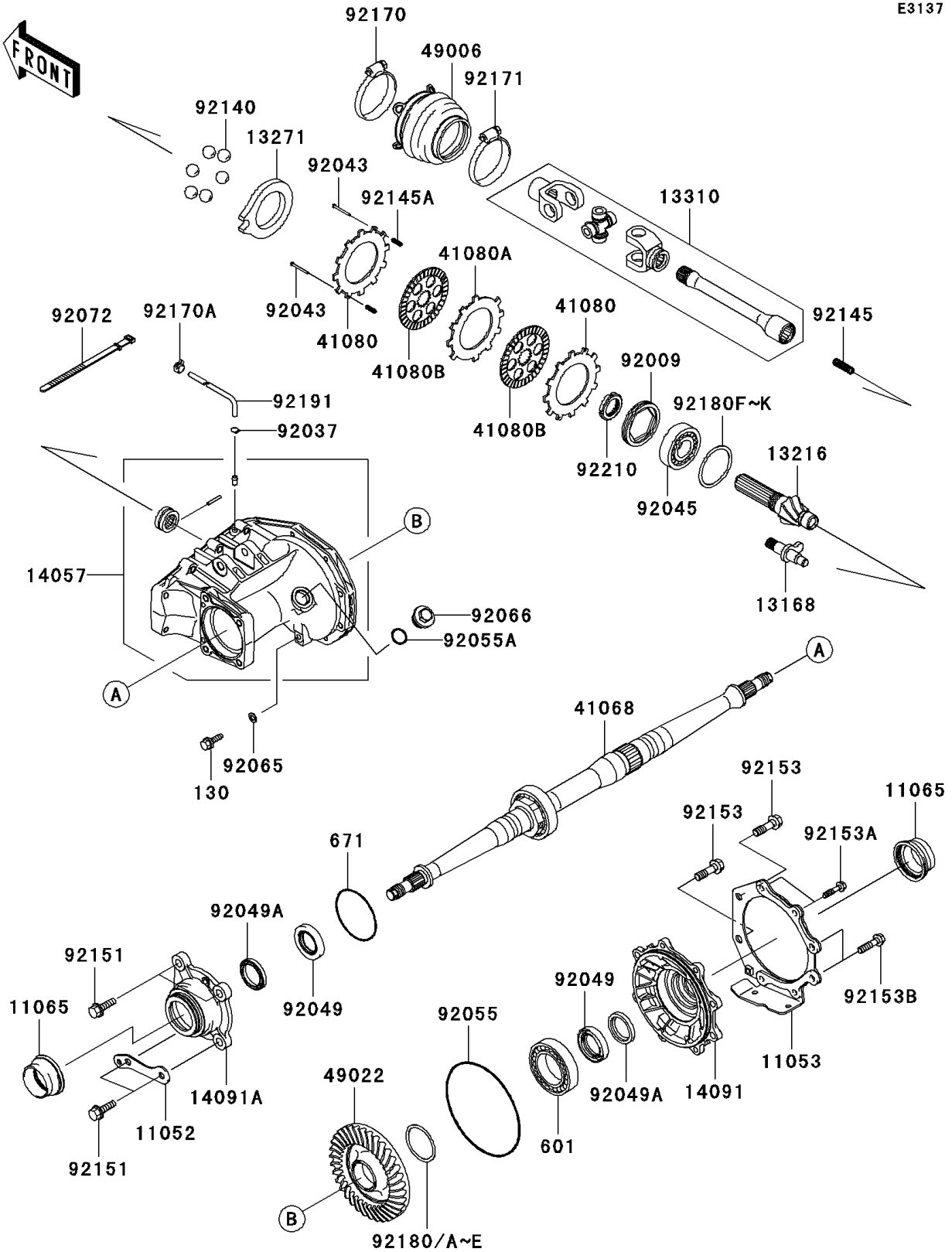


2006 KFX700 PARTS DIAGRAM

Drive Shaft-Rear

E3137



2006 KFX700 PARTS LIST

Drive Shaft-Rear

| ITEM NAME | PART NUMBER | QUANTITY |
|---|-------------|----------|
| BRACKET,REAR GUARD (Ref # 11052) | 11052-1348 | 1 |
| BRACKET (Ref # 11053) | 11053-0216 | 1 |
| CAP (Ref # 11065) | 11065-1260 | 2 |
| LEVER,BRAKE (Ref # 13168) | 13168-1687 | 1 |
| GEAR-COMP,RR,8T (Ref # 13216) | 13216-0002 | 1 |
| PLATE,CAM (Ref # 13271) | 13271-1938 | 1 |
| SHAFT-ASSY,RR DRIVE SHAFT (Ref # 13310) | 13310-1026 | 1 |
| CASE-COMP-GEAR (Ref # 14057) | 14057-0001 | 1 |
| COVER,RH (Ref # 14091) | 14091-0028 | 1 |
| COVER,LH (Ref # 14091A) | 14091-1422 | 1 |
| AXLE,RR,DRIVE SHAFT (Ref # 41068) | 41068-0003 | 1 |
| DISC,PRESSURE (Ref # 41080) | 41080-1483 | 2 |
| DISC,SEPARATER (Ref # 41080A) | 41080-1484 | 1 |
| DISC,FRICTION (Ref # 41080B) | 41080-1538 | 2 |
| BOOT,RR DRIVE SHAFT (Ref # 49006) | 49006-1358 | 1 |
| GEAR-BEVEL,RR,35T (Ref # 49022) | 49022-0004 | 1 |
| SCREW-SET-SOCKET,75X10 (Ref # 92009) | 92009-1667 | 1 |
| CLAMP,HOSE (Ref # 92037) | 92037-1104 | 1 |
| PIN,3X35 (Ref # 92043) | 92043-1617 | 2 |
| BEARING-BALL,BX30-1C3 UR3 (Ref # 92045) | 92045-0026 | 1 |
| SEAL-OIL,HTC40X58X8 (Ref # 92049) | 92049-0012 | 2 |
| SEAL-OIL,SC40X52X7 (Ref # 92049A) | 92049-0013 | 2 |
| RING-O,156.3X3.7 (Ref # 92055) | 92055-0004 | 1 |
| RING-O,25.7X2.4 (Ref # 92055A) | 92055-1136 | 1 |
| GASKET (Ref # 92065) | 92065-023 | 1 |
| PLUG (Ref # 92066) | 92066-1303 | 1 |
| BAND,L=186 (Ref # 92072) | 92072-056 | 2 |
| BALL,D/O#12 (Ref # 92140) | 92140-1064 | 6 |
| SPRING,RR DRIVE SHAFT (Ref # 92145) | 92145-1300 | 1 |

2006 KFX700 PARTS LIST

Drive Shaft-Rear

| ITEM NAME | PART NUMBER | QUANTITY |
|-------------------------------------|-------------|----------|
| SPRING,RETURN (Ref # 92145A) | 92145-1553 | 2 |
| BOLT,10X35 (Ref # 92151) | 92151-1909 | 4 |
| BOLT,12X40 (Ref # 92153) | 92153-0394 | 2 |
| BOLT,8X35 (Ref # 92153A) | 92153-0395 | 4 |
| BOLT,10X40 (Ref # 92153B) | 92153-0397 | 2 |
| CLAMP (Ref # 92170) | 92170-1763 | 1 |
| CLAMP (Ref # 92170A) | 92170-2043 | 1 |
| CLAMP (Ref # 92171) | 92171-1383 | 1 |
| SHIM,55X64X0.15 (Ref # 92180) | 92180-1417 | AR |
| SHIM,55X64X0.20 (Ref # 92180A) | 92180-1418 | AR |
| SHIM,55X64X0.50 (Ref # 92180B) | 92180-1419 | AR |
| BOLT-FLANGED,8X16 (Ref # 130) | 130G0816 | 1 |
| BEARING-BALL (Ref # 601) | 601A6011 | 1 |
| O RING (Ref # 671) | 671D2585 | 1 |
| SHIM,55X64X0.80 (Ref # 92180C) | 92180-1420 | AR |
| SHIM,55X64X1.00 (Ref # 92180D) | 92180-1421 | AR |
| SHIM,55X64X1.20 (Ref # 92180E) | 92180-1422 | AR |
| SHIM,60X72X0.15 (Ref # 92180F) | 92180-1423 | AR |
| SHIM,60X72X0.20 (Ref # 92180G) | 92180-1424 | AR |
| SHIM,60X72X0.50 (Ref # 92180H) | 92180-1425 | AR |
| SHIM,60X72X0.80 (Ref # 92180I) | 92180-1426 | AR |
| SHIM,60X72X1.00 (Ref # 92180J) | 92180-1427 | AR |
| SHIM,60X72X1.20 (Ref # 92180K) | 92180-1428 | AR |
| TUBE,BREATHING,L=1450 (Ref # 92191) | 92191-0014 | 1 |
| NUT,30MM (Ref # 92210) | 92210-1294 | 1 |