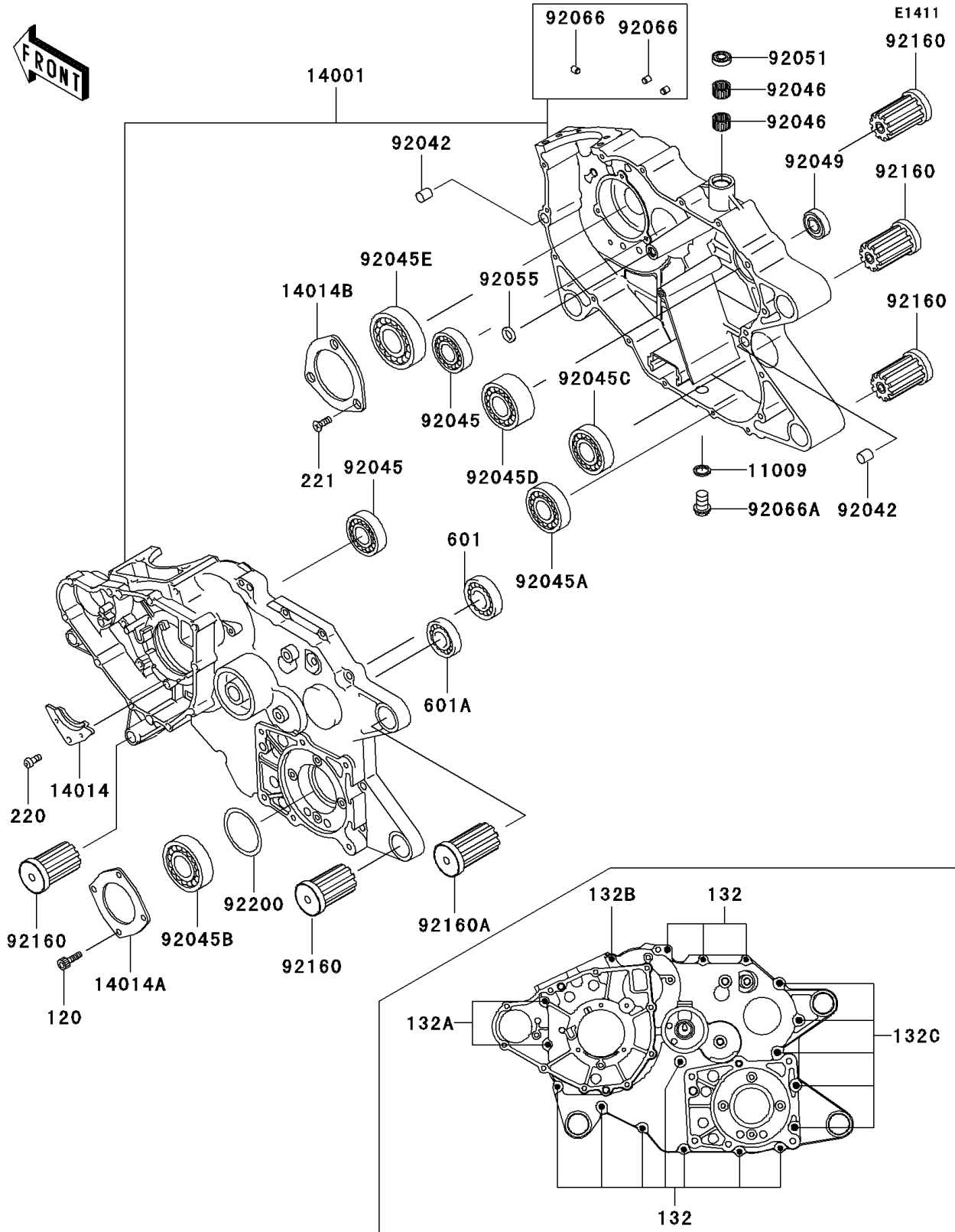


2000 Prairie 300 4X4 PARTS DIAGRAM

Crankcase



2000 Prairie 300 4X4 PARTS LIST

Crankcase

| ITEM NAME | PART NUMBER | QUANTITY |
|---|-------------|----------|
| BOLT-SOCKET,6X16 (Ref # 120) | 120P0616 | 4 |
| BOLT-FLANGED-SMALL,6X35 (Ref # 132) | 132Y0635 | 10 |
| BOLT-FLANGED-SMALL,6X65 (Ref # 132A) | 132Y0665 | 2 |
| BOLT-FLANGED-SMALL,6X85 (Ref # 132B) | 132Y0685 | 1 |
| BOLT-FLANGED-SMALL,8X35 (Ref # 132C) | 132Y0835 | 5 |
| SCREW-PAN-CROS,6X12 (Ref # 220) | 220B0612 | 1 |
| SCREW-CSK-CROS,6X16 (Ref # 221) | 221B0616 | 3 |
| BEARING-BALL (Ref # 601) | 601A6204Z | 1 |
| BEARING-BALL (Ref # 601A) | 601A6302 | 1 |
| GASKET (Ref # 11009) | 11009-2175 | 1 |
| SET-CRANKCASE (Ref # 14001) | 14001-1242 | 1 |
| PLATE-POSITION,CAM CHAIN (Ref # 14014) | 14014-035 | 1 |
| PLATE-POSITION (Ref # 14014A) | 14014-1108 | 1 |
| PLATE-POSITION (Ref # 14014B) | 14014-1137 | 1 |
| PIN,DOWEL,12X14 (Ref # 92042) | 92042-031 | 2 |
| BEARING-BALL,6004TMB (Ref # 92045) | 92045-1118 | 2 |
| BEARING-BALL,TMB304CCM (Ref # 92045A) | 92045-1142 | 1 |
| BEARING-BALL,6305RHR4SH2 (Ref # 92045B) | 92045-1254 | 1 |
| BEARING-BALL,6204X15C (Ref # 92045C) | 92045-1298 | 1 |
| BEARING-BALL,5206 (Ref # 92045D) | 92045-1329 | 1 |
| BEARING-BALL,63/32C3 (Ref # 92045E) | 92045-1364 | 1 |
| BEARING-NEEDLE,HK1312 (Ref # 92046) | 92046-1148 | 2 |
| SEAL-OIL,TC30458 (Ref # 92049) | 92049-1451 | 1 |
| SEAL-OIL,TB13225.5 (Ref # 92051) | 92051-005 | 1 |
| RING-O,OD=18 (Ref # 92055) | 92055-048 | 1 |
| PLUG,OIL LINE,7.2X8 (Ref # 92066) | 92066-1012 | 3 |
| PLUG,DRAIN (Ref # 92066A) | 92066-2196 | 1 |
| DAMPER,L=63.5 (Ref # 92160) | 92160-1938 | 5 |
| DAMPER,L=70 (Ref # 92160A) | 92160-1997 | 1 |

2000 Prairie 300 4X4 PARTS LIST

Crankcase

| ITEM NAME | PART NUMBER | QUANTITY |
|----------------------------------|-------------|----------|
| WASHER,50X60.5X0.5 (Ref # 92200) | 92200-1106 | 1 |