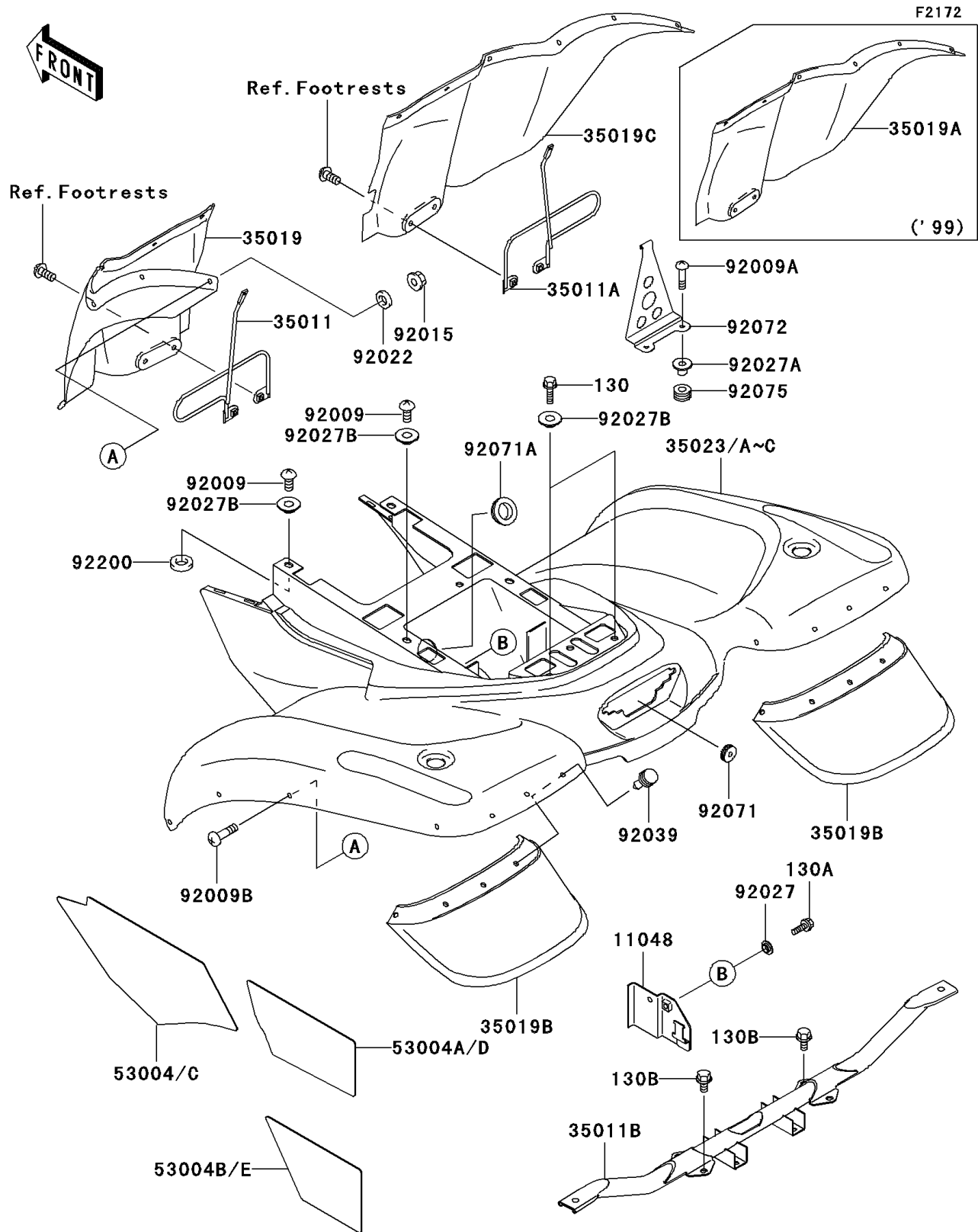


2001 Prairie 300 4X4 PARTS DIAGRAM

Rear Fender(s)



2001 Prairie 300 4X4 PARTS LIST

Rear Fender(s)

ITEM NAME	PART NUMBER	QUANTITY
BOLT-FLANGED,6X18 (Ref # 130)	130C0618	2
BOLT-FLANGED,6X14 (Ref # 130A)	130J0614	1
BOLT-FLANGED,8X16 (Ref # 130B)	130J0816	4
BRACKET,ELECTRIC (Ref # 11048)	11048-1966	1
STAY,REAR FLAP,LH (Ref # 35011)	35011-1759	1
STAY,REAR FLAP,RH (Ref # 35011A)	35011-1760	1
STAY,REAR FENDER (Ref # 35011B)	35011-1782	1
FLAP,RR,FR,LH,F.BLACK (Ref # 35019)	35019-1334-6Z	1
FLAP,RR,RR,F.BLACK (Ref # 35019B)	35019-1336-6Z	2
FLAP,RR,FR,RH,F.BLACK (Ref # 35019C)	35019-1375-6Z	1
FENDER-REAR,L.GREEN (Ref # 35023)	35023-1494-6A	1
FENDER-REAR,F.RED (Ref # 35023A)	35023-1494-6L	1
MAT,REAR FENDER (Ref # 53004)	53004-1111	1
MAT,REAR FENDER (Ref # 53004A)	53004-1112	1
MAT,REAR FENDER (Ref # 53004B)	53004-1113	1
SCREW,TAPPING,6X16 (Ref # 92009)	92009-1166	4
SCREW,6X25 (Ref # 92009A)	92009-1465	2
SCREW,6X16 (Ref # 92009B)	92009-1621	12
NUT,LOCK,FLANGED,6MM (Ref # 92015)	92015-1675	12
WASHER,6.5X16X1.0 (Ref # 92022)	92022-1093	12
COLLAR,L=3.5 (Ref # 92027)	92027-1018	1
COLLAR,FLANGED,L=12.1,BLACK (Ref # 92027A)	92027-1651	2
COLLAR,L=4.7 (Ref # 92027B)	92027-1964	6
RIVET (Ref # 92039)	92039-1229	10
GROMMET,SENSOR LEAD (Ref # 92071)	92071-1058	1
GROMMET (Ref # 92071A)	92071-1237	1
BAND (Ref # 92072)	92072-1361	1
DAMPER,CASE (Ref # 92075)	92075-222	2
WASHER,8.5X20X2.3 (Ref # 92200)	92200-1055	2