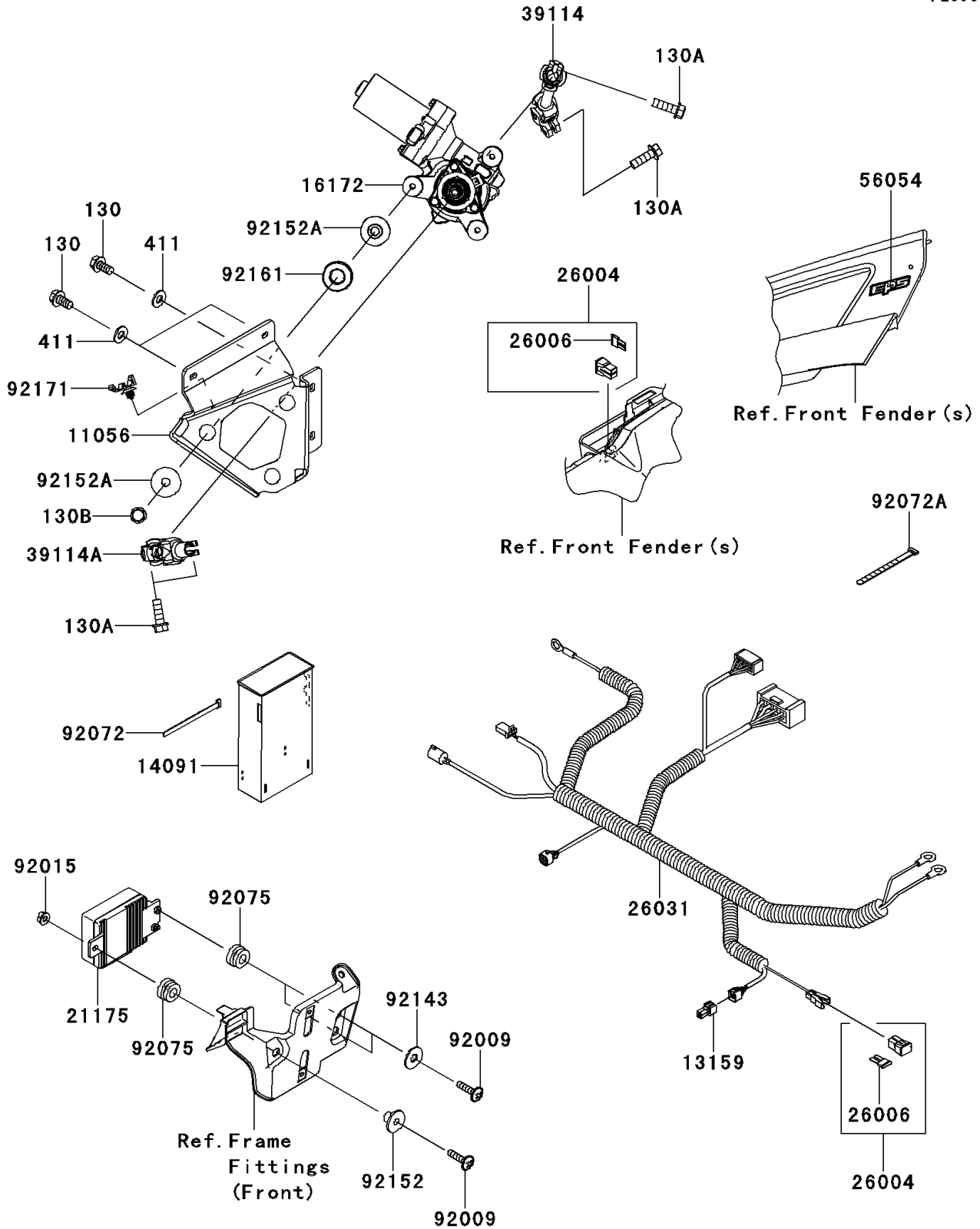


2013 TERYX4™ 750 4x4 (Canadian) PARTS DIAGRAM

Optional Parts(EPS)

F2890



2013 TERYX4™ 750 4x4 (Canadian) PARTS LIST

Optional Parts(EPS)

ITEM NAME	PART NUMBER	QUANTITY
BRACKET, EPS ACTUATOR (Ref # 11056)	11056-1416	1
BOLT-FLANGED, 8X16 (Ref # 130)	130BA0816	4
BOLT-FLANGED, 8X25 (Ref # 130A)	130BA0825	4
BOLT-FLANGED, 8X45 (Ref # 130B)	130CA0845	3
CONNECTOR (Ref # 13159)	13159-0014	1
COVER, ECU (Ref # 14091)	14091-7560	1
ACTUATOR, EPS (Ref # 16172)	16172-0557	1
CONTROL UNIT-ELECTRONIC (Ref # 21175)	21175-0809	1
FUSE-ASSY, 40A (Ref # 26004)	26004-1093	2
FUSE, SLOW BLOW, BT, 40A, GREEN (Ref # 26006)	26006-0014	2
HARNESS (Ref # 26031)	26031-1180	1
SHAFT-COMP-STRG (Ref # 39114)	39114-0306	1
SHAFT-COMP-STRG (Ref # 39114A)	39114-0308	1
WASHER-PLAIN (Ref # 411)	411AA0800	4
MARK, FR FENDER, EPS (Ref # 56054)	56054-1201	2
SCREW, 6X25 (Ref # 92009)	92009-1465	3
NUT, FLANGED, 6MM (Ref # 92015)	92015-1367	1
BAND, L=123 (Ref # 92072)	92072-030	1
BAND, L=188 (Ref # 92072A)	92072-1239	5
DAMPER, RUBBER (Ref # 92075)	92075-1123	3
COLLAR, L=6.5 (Ref # 92143)	92143-1025	2
COLLAR, 6.5X10X13.3 (Ref # 92152)	92152-0957	1
COLLAR (Ref # 92152A)	92152-7513	6
DAMPER, ACTUATOR (Ref # 92161)	92161-7517	3
CLAMP (Ref # 92171)	92171-0453	1