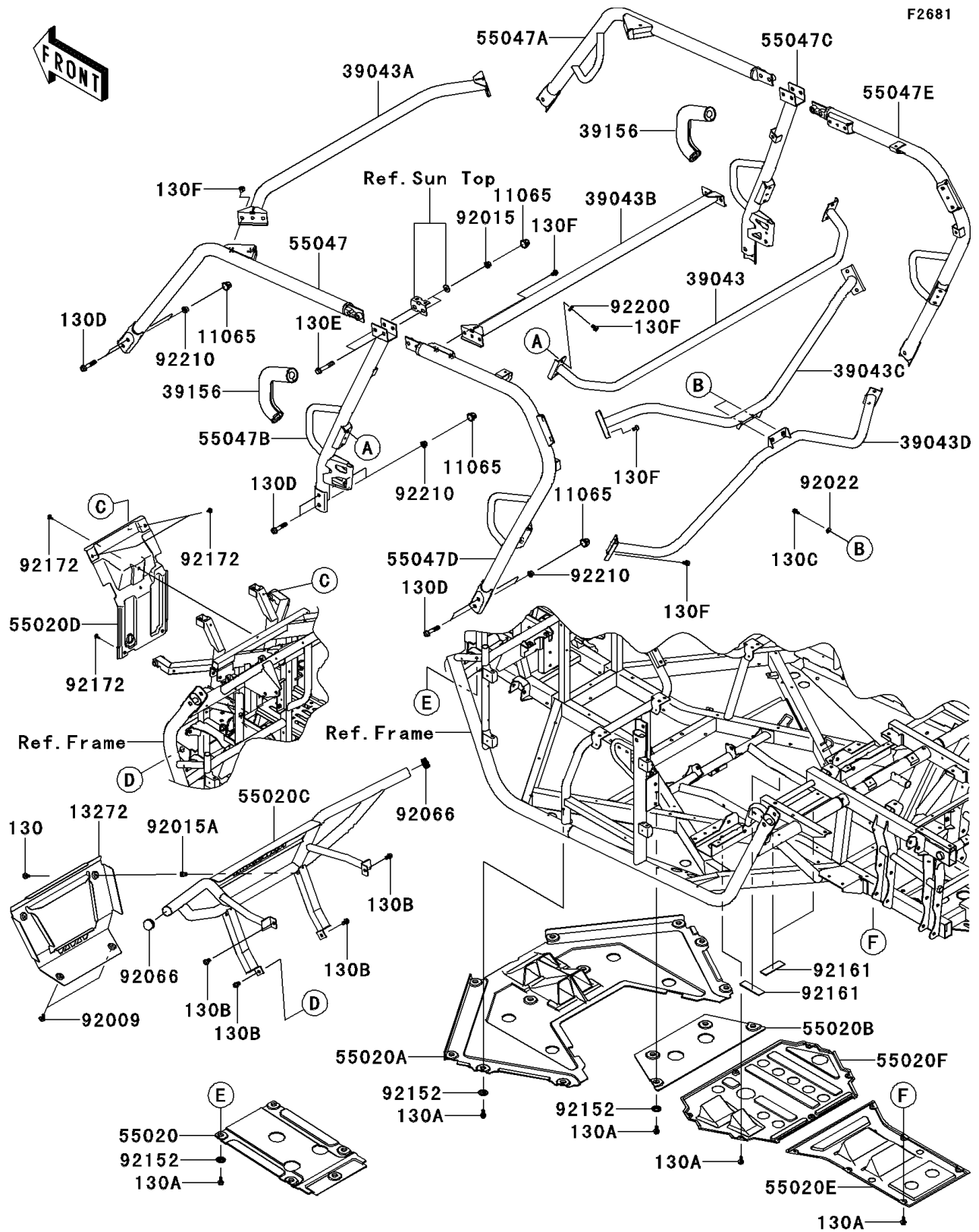


2012 TERYX4™ 750 4x4 EPS LE PARTS DIAGRAM

Guards/Cab Frame



2012 TERYX4™ 750 4x4 EPS LE PARTS LIST

Guards/Cab Frame

ITEM NAME	PART NUMBER	QUANTITY
CAP (Ref # 11065)	11065-0751	16
BOLT-FLANGED,6X14 (Ref # 130)	130AB0614	2
BOLT-FLANGED,6X14 (Ref # 130A)	130BA0614	31
BOLT-FLANGED,10X16 (Ref # 130B)	130BA1016	4
BOLT-FLANGED,8X16 (Ref # 130C)	130BB0816	2
BOLT-FLANGED,12X60 (Ref # 130D)	130BB1260	12
BOLT-FLANGED,12X75 (Ref # 130E)	130BB1275	4
BOLT-FLANGED,10X14 (Ref # 130F)	130CB1014	20
PLATE,T.BLACK (Ref # 13272)	13272-0994-388	1
CROSSMEMBER-COMP,CNT,LWR,T.BLK (Ref # 39043)	39043-0325-388	1
CROSSMEMBER-COMP,FR,UPP,T.BLK (Ref # 39043A)	39043-0328-388	1
CROSSMEMBER-COMP,CNT,UPP,T.BLK (Ref # 39043B)	39043-0329-388	1
CROSSMEMBER-COMP,RR,UPP,T.BLK (Ref # 39043C)	39043-0330-388	1
CROSSMEMBER-COMP,RR,LWR,T.BLK (Ref # 39043D)	39043-0331-388	1
PAD (Ref # 39156)	39156-0764	2
GUARD,SKID,FR (Ref # 55020)	55020-0723	1
GUARD,SKID,FR MIDDLE (Ref # 55020A)	55020-0724	1
GUARD,SKID,CNT,FR (Ref # 55020B)	55020-0726	1
GUARD,FRONT,T.BLACK (Ref # 55020C)	55020-0727-388	1
GUARD,FR FRAME (Ref # 55020D)	55020-0741	1
GUARD,SKID,RR (Ref # 55020E)	55020-0812	1
GUARD,SKID,CNT (Ref # 55020F)	55020-0815	1
BAR-COMP,A-PILLAR,LH,T.BLACK (Ref # 55047)	55047-0334-388	1
BAR-COMP,A-PILLAR,RH,T.BLACK (Ref # 55047A)	55047-0335-388	1
BAR-COMP,B-PILLAR,LH,T.BLACK (Ref # 55047B)	55047-0336-388	1
BAR-COMP,B-PILLAR,RH,T.BLACK (Ref # 55047C)	55047-0337-388	1
BAR-COMP,C-PILLAR,LH,T.BLACK (Ref # 55047D)	55047-0338-388	1
BAR-COMP,C-PILLAR,RH,T.BLACK (Ref # 55047E)	55047-0339-388	1
SCREW,TAPPING,6X16 (Ref # 92009)	92009-1166	2

2012 TERYX4™ 750 4x4 EPS LE PARTS LIST

Guards/Cab Frame

ITEM NAME	PART NUMBER	QUANTITY
NUT,LOCK,FLANGED,12MM (Ref # 92015)	92015-1433	4
NUT,POP,6MM,L=15 (Ref # 92015A)	92015-1791	2
WASHER,8.5X20X1.6,BLACK (Ref # 92022)	92022-1317	2
PLUG (Ref # 92066)	92066-7503	2
COLLAR (Ref # 92152)	92152-0784	19
DAMPER,30X100X3.2 (Ref # 92161)	92161-1457	3
SCREW,6X16 (Ref # 92172)	92172-0711	4
WASHER,10.2X23X2.5 (Ref # 92200)	92200-7506	4
NUT,12MM (Ref # 92210)	92210-0603	12