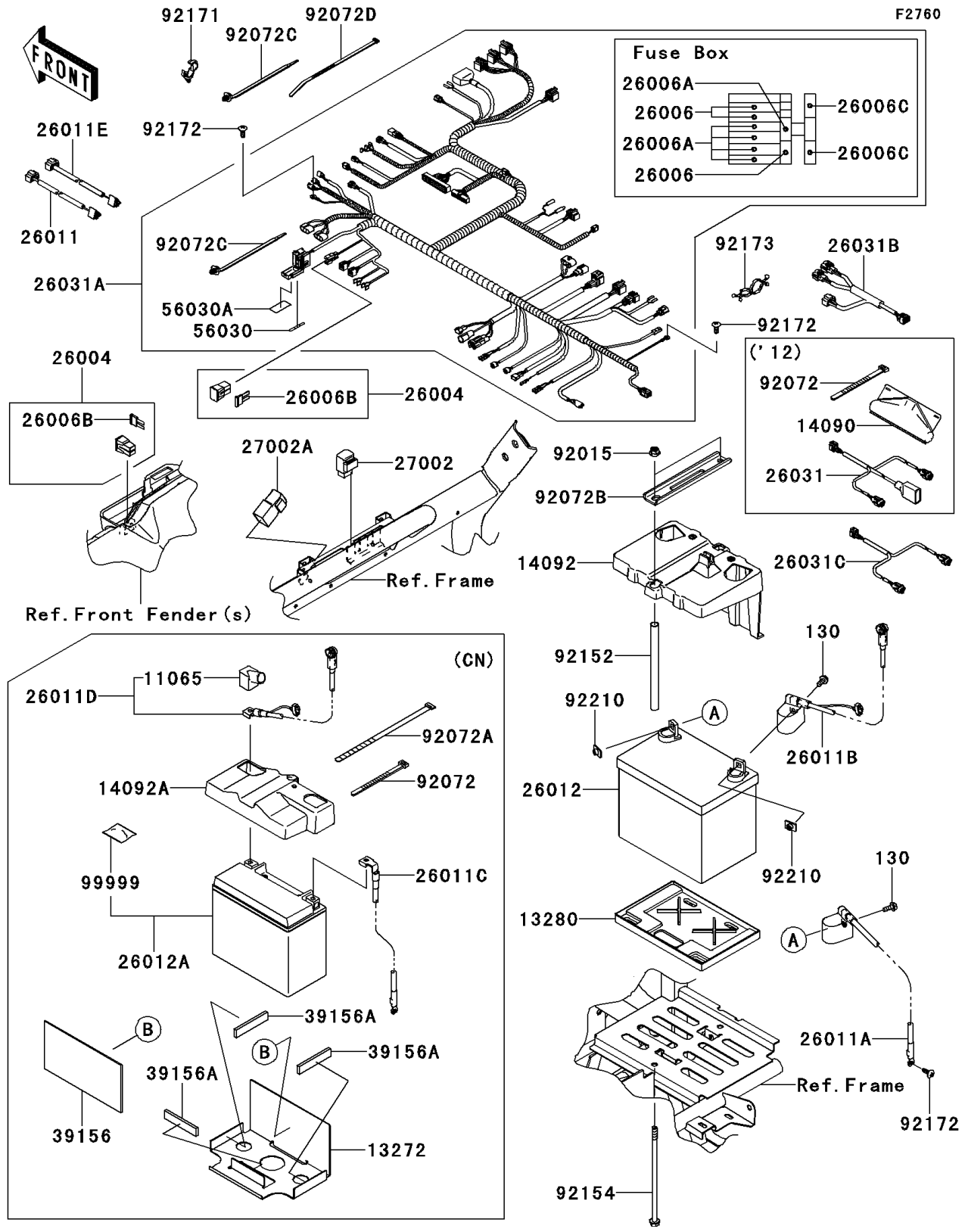


# 2013 Teryx4™ 750 4x4 EPS LE PARTS DIAGRAM

Chassis Electrical Equipment



## 2013 Teryx4™ 750 4x4 EPS LE PARTS LIST

### Chassis Electrical Equipment

| ITEM NAME                                  | PART NUMBER | QUANTITY |
|--|-------------|----------|
| CAP (Ref # 11065)                          | 11065-0755  | 1        |
| PLATE,BATTERY BOTTOM (Ref # 13272)         | 13272-1322  | 1        |
| HOLDER,BATTERY (Ref # 13280)               | 13280-0709  | 1        |
| COVER,BATTERY (Ref # 14092)                | 14092-0753  | 1        |
| COVER,BATTERY (Ref # 14092A)               | 14092-0978  | 1        |
| FUSE-ASSY,40A (Ref # 26004)                | 26004-1093  | 2        |
| FUSE,MINI BLADE,15A,BLUE (Ref # 26006)     | 26006-0001  | 3        |
| FUSE,MINI BLADE,10A,RED (Ref # 26006A)     | 26006-0009  | 5        |
| FUSE,SLOW BLOW,BT,40A,GREEN (Ref # 26006B) | 26006-0014  | 2        |
| FUSE,MINI BLADE,30A,GREEN (Ref # 26006C)   | 26006-1080  | 2        |
| WIRE-LEAD,HEAD LAMP,LH (Ref # 26011)       | 26011-0276  | 1        |
| WIRE-LEAD,BATTERY(-) (Ref # 26011A)        | 26011-0713  | 1        |
| WIRE-LEAD,BATTERY(+) (Ref # 26011B)        | 26011-0714  | 1        |
| WIRE-LEAD,BATTERY(-) (Ref # 26011C)        | 26011-0725  | 1        |
| WIRE-LEAD,BATTERY(+) (Ref # 26011D)        | 26011-0726  | 1        |
| WIRE-LEAD,HEAD LAMP,RH (Ref # 26011E)      | 26011-0759  | 1        |
| BATTERY,12V 14AH (Ref # 26012)             | 26012-0107  | 1        |
| BATTERY,YTX20L-BS,12V 18AH (Ref # 26012A)  | 26012-3730  | 1        |
| HARNESS,MAIN (Ref # 26031A)                | 26031-1179  | 1        |
| HARNESS,SUB,TPS (Ref # 26031B)             | 26031-1264  | 1        |
| HARNESS,SUB (Ref # 26031C)                 | 26031-1439  | 1        |
| RELAY-ASSY (Ref # 27002)                   | 27002-1062  | 1        |
| RELAY-ASSY (Ref # 27002A)                  | 27002-1086  | 1        |
| PAD,175X94X3 (Ref # 39156)                 | 39156-0837  | 1        |
| PAD,15X72X5 (Ref # 39156A)                 | 39156-0838  | 3        |
| LABEL,FUSE BOX,30A (Ref # 56030)           | 56030-0404  | 1        |
| LABEL,FUSE BOX (Ref # 56030A)              | 56030-0703  | 1        |
| NUT,FLANGED,8MM (Ref # 92015)              | 92015-1406  | 2        |
| BOLT-FLANGED,6X16 (Ref # 130)              | 130BA0616   | 2        |

## 2013 Teryx4™ 750 4x4 EPS LE PARTS LIST

### Chassis Electrical Equipment

| ITEM NAME                            | PART NUMBER | QUANTITY |
|--------------------------------------|-------------|----------|
| BAND,L=218 (Ref # 92072A)            | 92072-032   | 1        |
| BAND (Ref # 92072B)                  | 92072-0707  | 1        |
| BAND (Ref # 92072C)                  | 92072-1414  | 12       |
| BAND,L=292.1 (Ref # 92072D)          | 92072-3509  | 20       |
| COLLAR,10.2X12.7X165.8 (Ref # 92152) | 92152-1555  | 2        |
| BOLT,FLANGED,8X185 (Ref # 92154)     | 92154-0889  | 2        |
| CLAMP,DIA=13 (Ref # 92171)           | 92171-1415  | 8        |
| SCREW,TAPPING,6X16 (Ref # 92172)     | 92172-0739  | 3        |
| CLAMP,PURSE LOCK (Ref # 92173)       | 92173-0962  | 1        |
| NUT,PLATE,6MM (Ref # 92210)          | 92210-1352  | 2        |
| BOLT NUT KIT (Ref # 99999)           | 99999-0311  | 1        |
| BAND,L=123 (Ref # 92072)             | 92072-030   | 1        |