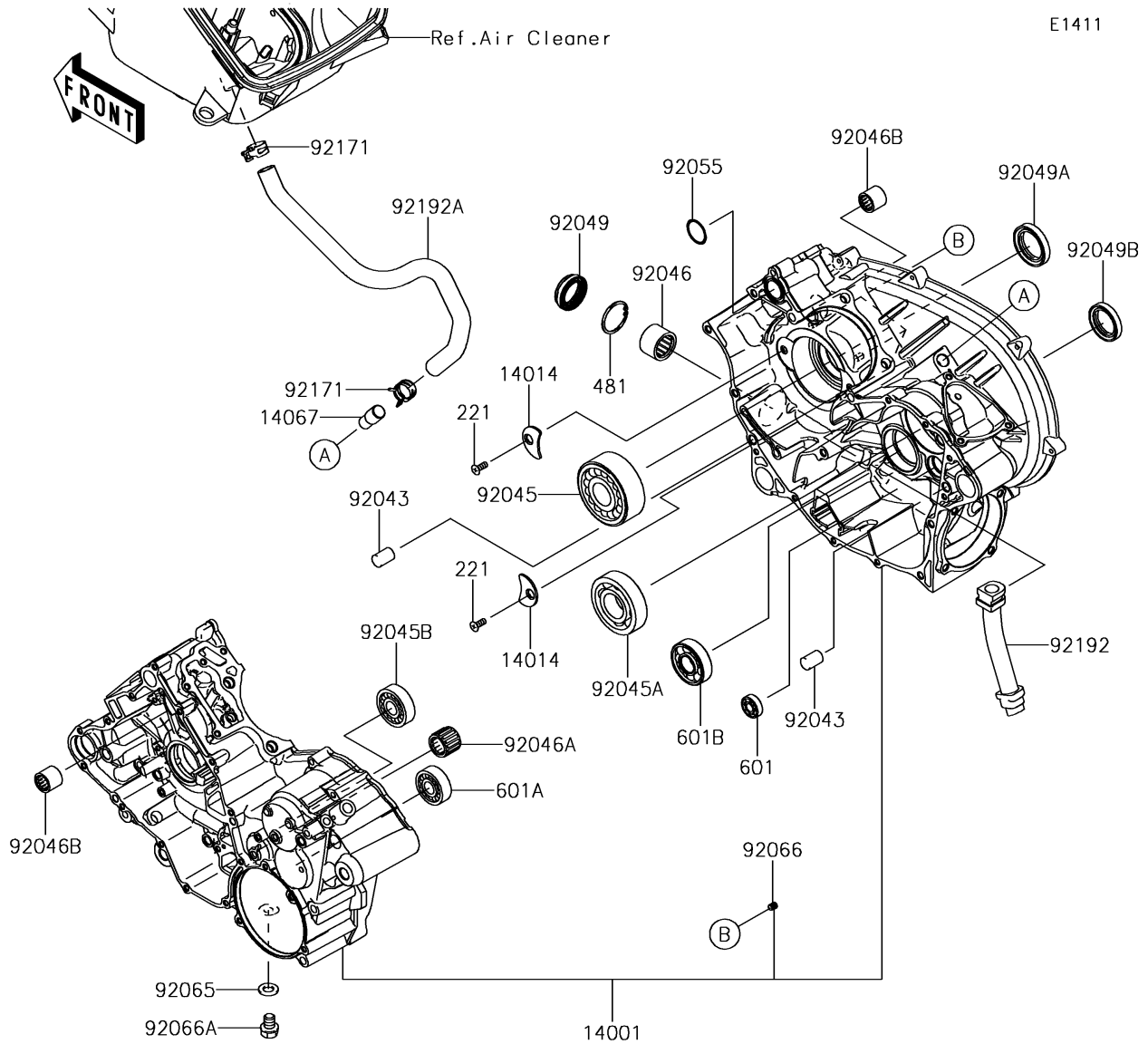
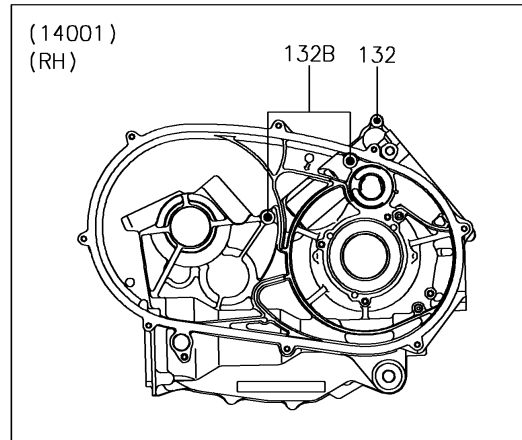
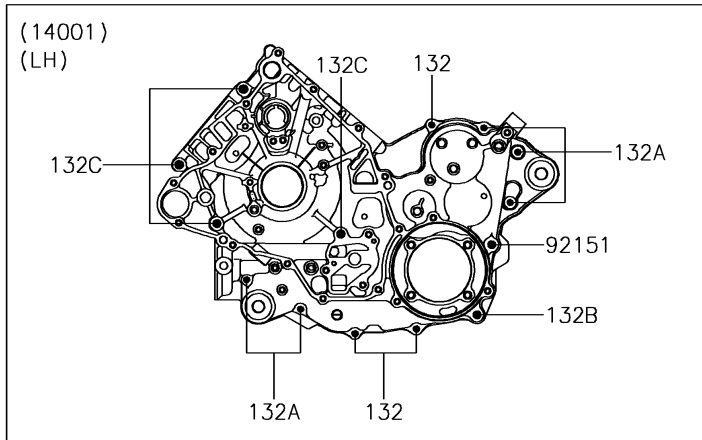


# 2015 BRUTE FORCE® 750 4x4i EPS PARTS DIAGRAM

## Crankcase



E1411



# 2015 BRUTE FORCE® 750 4x4i EPS PARTS LIST

Crankcase

ITEM NAME	PART NUMBER	QUANTITY
-----------	-------------	----------