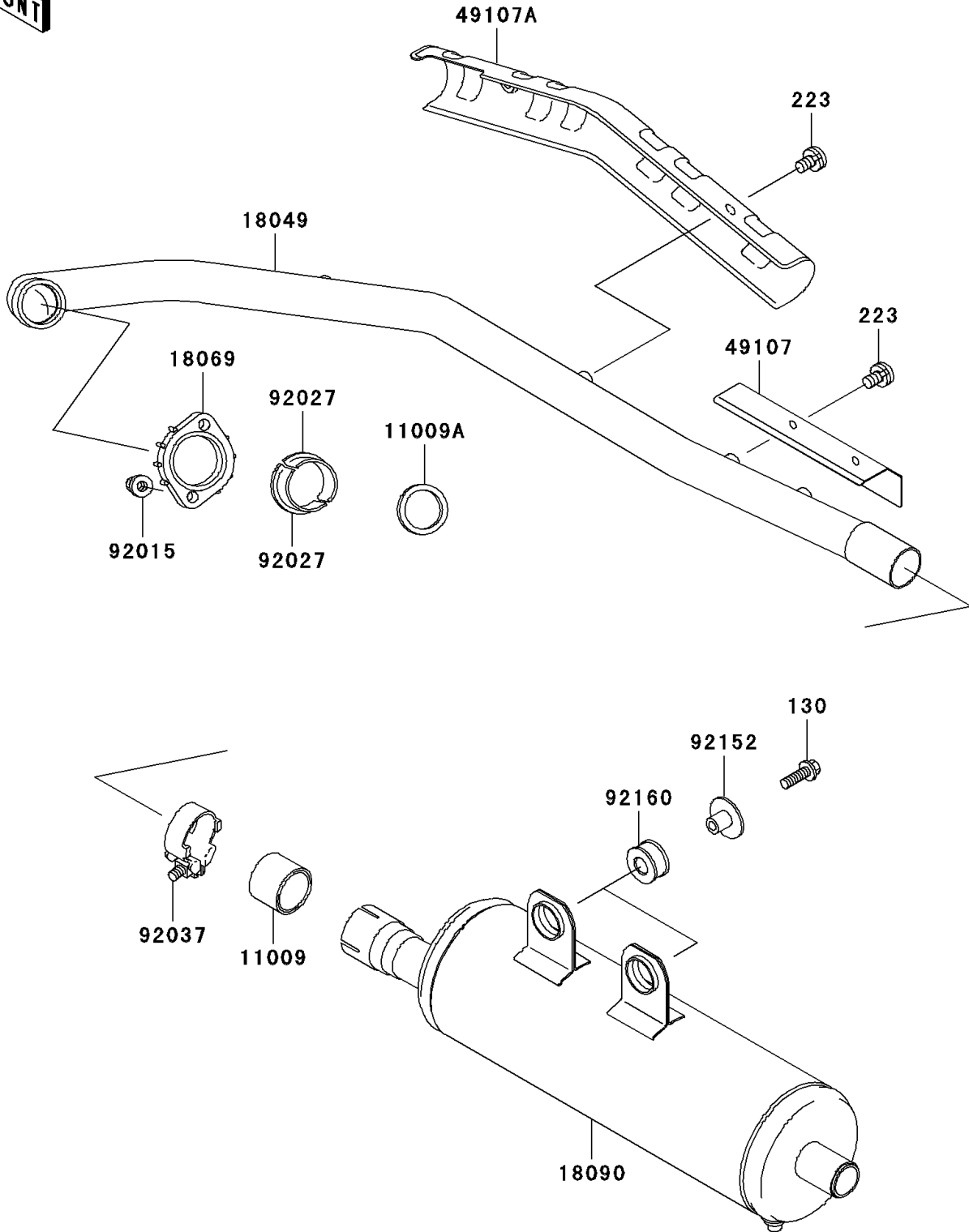


2000 Prairie 300 PARTS DIAGRAM

Muffler(s)

E1140



2000 Prairie 300 PARTS LIST

Muffler(s)

| ITEM NAME | PART NUMBER | QUANTITY |
|--|-------------|----------|
| BOLT-FLANGED,8X30 (Ref # 130) | 130J0830 | 2 |
| SCREW-PAN-WS-CROS,6X10 (Ref # 223) | 223C0610 | 4 |
| GASKET,EXHAUST PIPE CONNECTING (Ref # 11009) | 11009-1667 | 1 |
| GASKET,EXHAUST PIPE HOLDER (Ref # 11009A) | 11009-1866 | 1 |
| PIPE-EXHAUST (Ref # 18049) | 18049-1884 | 1 |
| HOLDER-EXHAUST PIPE (Ref # 18069) | 18069-1014 | 1 |
| BODY-COMP-MUFFLER (Ref # 18090) | 18090-1675 | 1 |
| COVER-EXHAUST PIPE (Ref # 49107) | 49107-1130 | 1 |
| COVER-EXHAUST PIPE (Ref # 49107A) | 49107-1135 | 1 |
| NUT,8MM (Ref # 92015) | 92015-1402 | 2 |
| COLLAR,EXHAUST PIPE (Ref # 92027) | 92027-264 | 2 |
| CLAMP,42MM (Ref # 92037) | 92037-1349 | 1 |
| COLLAR,MUFFLER (Ref # 92152) | 92152-1152 | 2 |
| DAMPER,MUFFLER (Ref # 92160) | 92160-1990 | 2 |