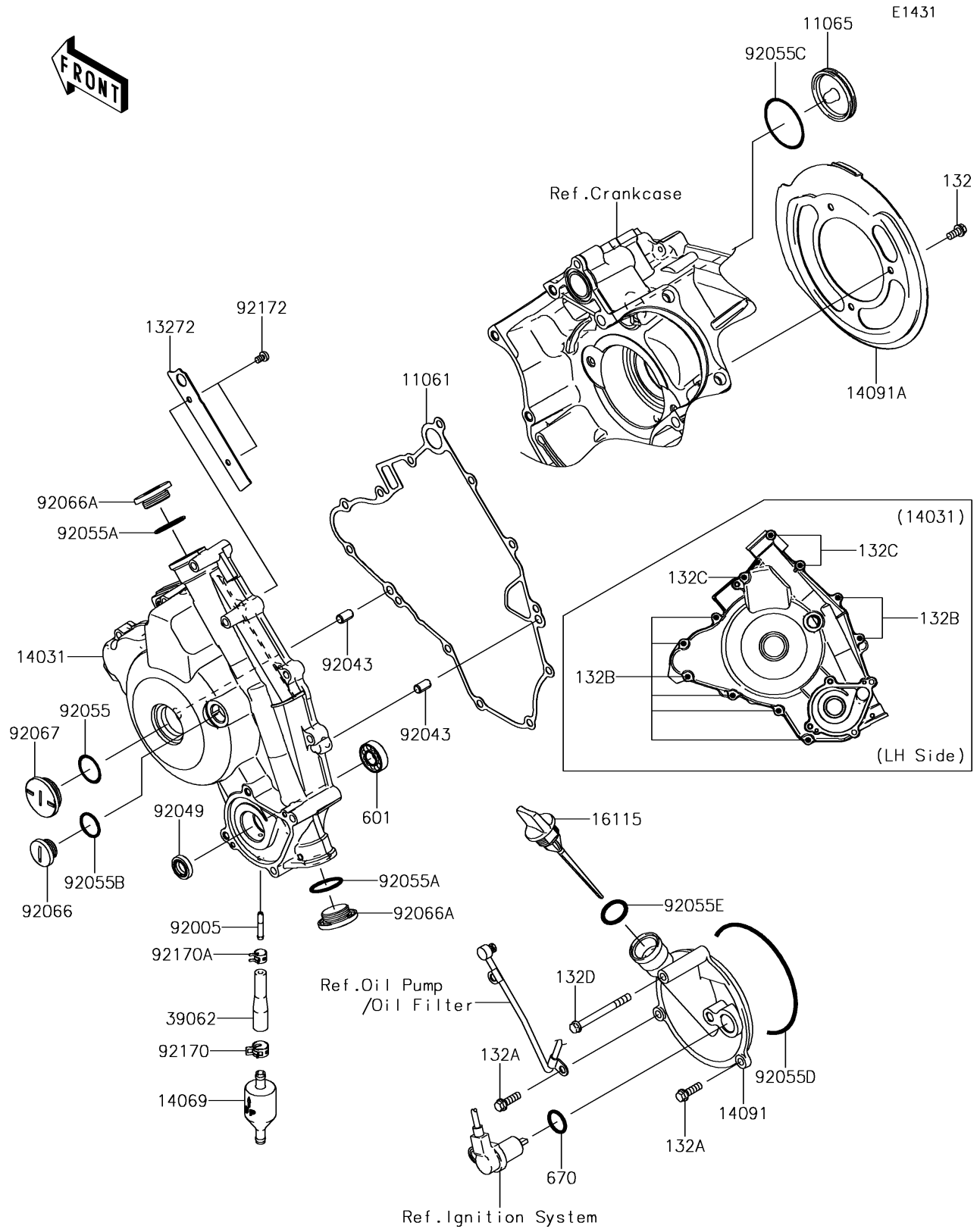


2019 BRUTE FORCE® 750 4x4i EPS CAMO PARTS DIAGRAM

Engine Cover(s)



2019 BRUTE FORCE® 750 4x4i EPS CAMO PARTS LIST

Engine Cover(s)

| ITEM NAME | PART NUMBER | QUANTITY |
|---|-------------|----------|
| GASKET (Ref # 11061) | 11061-1119 | 1 |
| CAP (Ref # 11065) | 11065-1151 | 1 |
| BOLT-FLANGED-SMALL,6X12 (Ref # 132) | 132BA0612 | 3 |
| PLATE (Ref # 13272) | 13272-1090 | 1 |
| BOLT-FLANGED-SMALL,6X20 (Ref # 132A) | 132BA0620 | 2 |
| BOLT-FLANGED-SMALL,6X30 (Ref # 132B) | 132BA0630 | 8 |
| BOLT-FLANGED-SMALL,6X55 (Ref # 132C) | 132BA0655 | 3 |
| BOLT-FLANGED-SMALL,6X65 (Ref # 132D) | 132BA0665 | 1 |
| COVER-GENERATOR (Ref # 14031) | 14031-0127 | 1 |
| BREATHER (Ref # 14069) | 14069-1051 | 1 |
| COVER (Ref # 14091) | 14091-1365 | 1 |
| COVER,BELT CONVERTER (Ref # 14091A) | 14091-1571 | 1 |
| CAP-OIL FILLER (Ref # 16115) | 16115-0001 | 1 |
| HOSE-COOLING,CARBURETOR-VALVE (Ref # 39062) | 39062-1382 | 1 |
| BEARING-BALL (Ref # 601) | 601A6001 | 1 |
| O RING,18MM (Ref # 670) | 670D2018 | 1 |
| FITTING (Ref # 92005) | 92005-1264 | 1 |
| PIN,6.2X8X14 (Ref # 92043) | 92043-1263 | 2 |
| SEAL-OIL,12X22X5 (Ref # 92049) | 92049-0783 | 1 |
| RING-O,27.7X2.4 (Ref # 92055) | 92055-091 | 1 |
| RING-O,25.7X2.4 (Ref # 92055A) | 92055-1136 | 2 |
| RING-O,20X2 (Ref # 92055B) | 92055-1146 | 1 |
| RING-O,44.7X2.4 (Ref # 92055C) | 92055-1279 | 1 |
| RING-O,99.5X2.0 (Ref # 92055D) | 92055-1632 | 1 |
| RING-O,20X3 (Ref # 92055E) | 92055-2185 | 1 |
| PLUG,COVER (Ref # 92066) | 92066-0011 | 1 |
| PLUG,25X8 (Ref # 92066A) | 92066-0012 | 2 |
| PLUG,30X8 (Ref # 92067) | 92067-024 | 1 |
| CLAMP (Ref # 92170) | 92170-1492 | 1 |

2019 BRUTE FORCE® 750 4x4i EPS CAMO PARTS LIST

Engine Cover(s)

| ITEM NAME | PART NUMBER | QUANTITY |
|-------------------------|-------------|----------|
| CLAMP (Ref # 92170A) | 92170-1493 | 1 |
| SCREW,5X8 (Ref # 92172) | 92172-0119 | 2 |