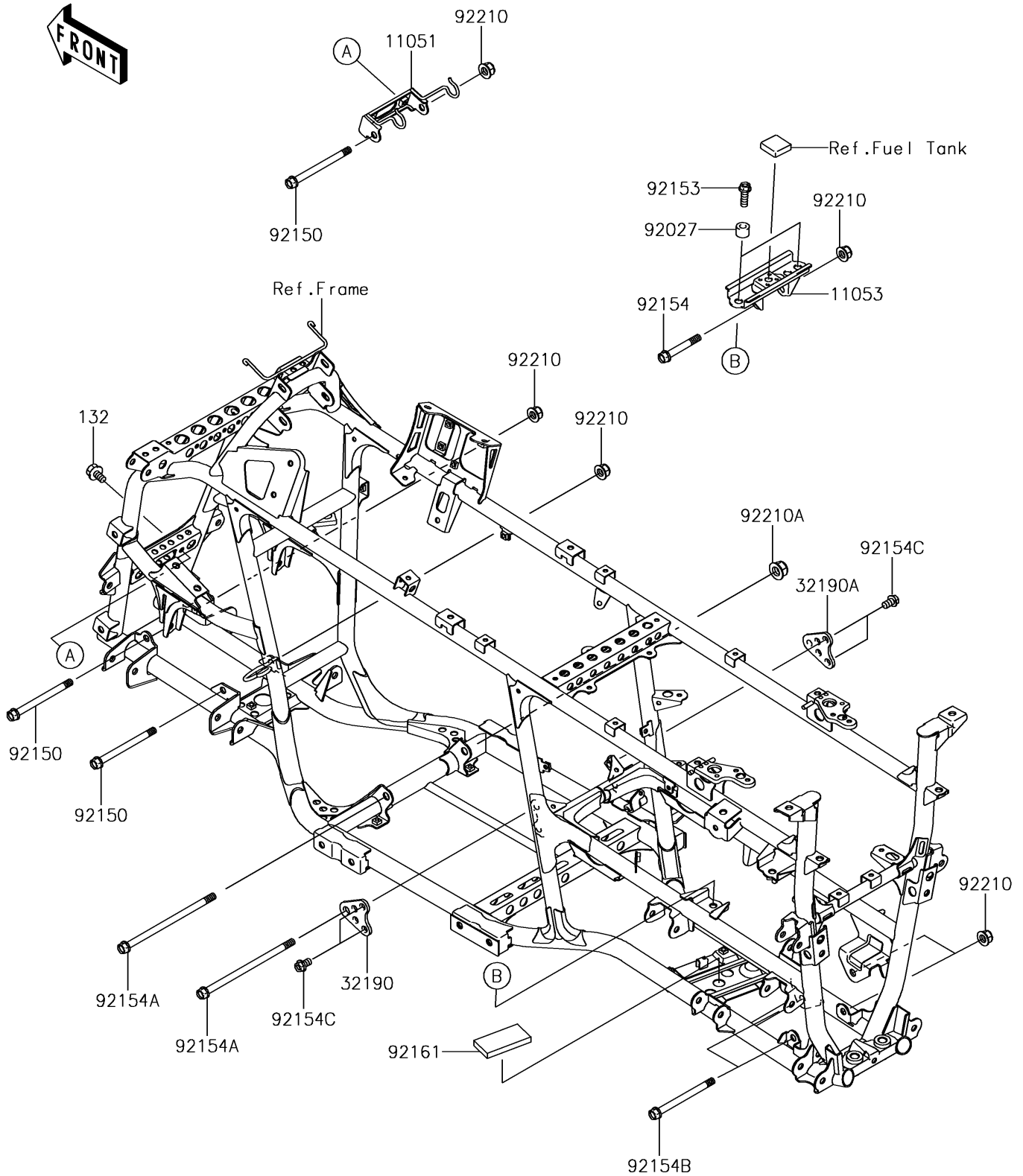


2016 BRUTE FORCE® 750 4x4i EPS CAMO PARTS DIAGRAM

Engine Mount

F2122



2016 BRUTE FORCE® 750 4x4i EPS CAMO PARTS LIST

Engine Mount

ITEM NAME	PART NUMBER	QUANTITY
BRACKET,FRONT DIFF (Ref # 11051)	11051-1929	1
BRACKET,REAR DIFF,TOP (Ref # 11053)	11053-1592	1
BOLT-FLANGED-SMALL,8X14 (Ref # 132)	132BA0814	2
BRACKET-ENGINE,RR,UPP,LH (Ref # 32190)	32190-0059	1
BRACKET-ENGINE,RR,UPP,RH (Ref # 32190A)	32190-0060	1
COLLAR,FRONT AXLE,L=14.5 (Ref # 92027)	92027-1472	2
BOLT,FLANGED,10X120 (Ref # 92150)	92150-1642	3
BOLT,10X30 (Ref # 92153)	92153-0908	2
BOLT,FLANGED,10X70 (Ref # 92154)	92154-0894	1
BOLT,FLANGED,12X190 (Ref # 92154A)	92154-1518	2
BOLT,FLANGED,10X120 (Ref # 92154B)	92154-1519	2
BOLT,FLANGED,10X16 (Ref # 92154C)	92154-1520	4
DAMPER (Ref # 92161)	92161-0215	1
NUT,LOCK,FLANGED,10MM (Ref # 92210)	92210-1081	6
NUT,LOCK,FLANGED,12MM (Ref # 92210A)	92210-1150	1