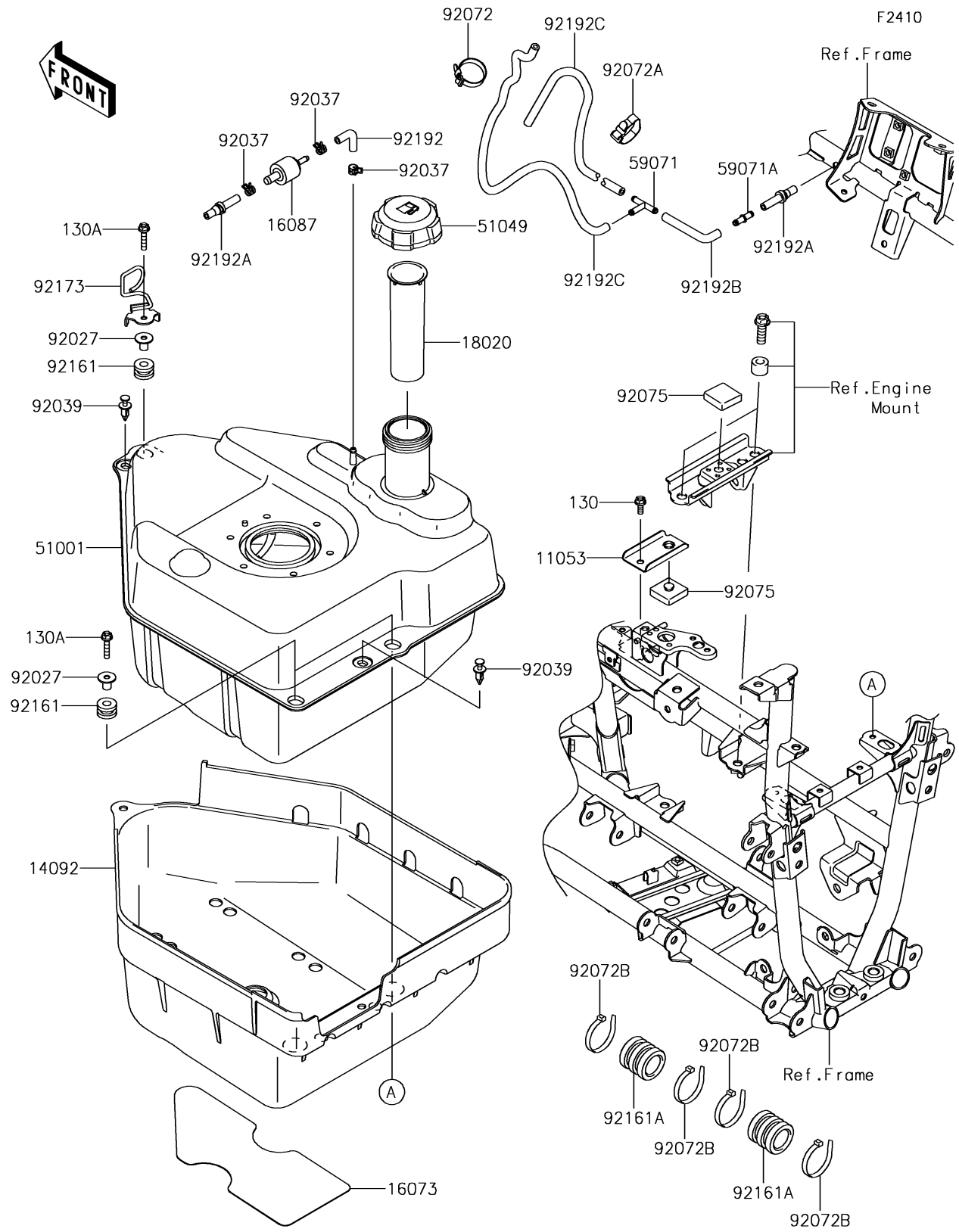


2018 BRUTE FORCE® 750 4x4i EPS CAMO PARTS DIAGRAM

Fuel Tank



2018 BRUTE FORCE® 750 4x4i EPS CAMO PARTS LIST

Fuel Tank

| ITEM NAME | PART NUMBER | QUANTITY |
|---|-------------|----------|
| BRACKET,FUEL TANK,TOP (Ref # 11053) | 11053-0936 | 1 |
| BOLT-FLANGED,6X16 (Ref # 130) | 130BA0616 | 1 |
| BOLT-FLANGED,6X30 (Ref # 130A) | 130BA0630 | 3 |
| COVER,FUEL TANK,LWR (Ref # 14092) | 14092-0186 | 1 |
| INSULATOR,FUEL TANK COVER,LWR (Ref # 16073) | 16073-0034 | 1 |
| VALVE-CHECK (Ref # 16087) | 16087-0008 | 1 |
| BAFFLE,FUEL TANK (Ref # 18020) | 18020-0008 | 1 |
| TANK-COMP-FUEL (Ref # 51001) | 51001-0237 | 1 |
| CAP-TANK,FUEL (Ref # 51049) | 51049-0718 | 1 |
| JOINT (Ref # 59071) | 59071-3705 | 1 |
| JOINT (Ref # 59071A) | 59071-3717 | 1 |
| COLLAR,L=16.1 (Ref # 92027) | 92027-1847 | 3 |
| CLAMP,TUBE (Ref # 92037) | 92037-1461 | 3 |
| RIVET (Ref # 92039) | 92039-0776 | 2 |
| BAND,L=149 (Ref # 92072) | 92072-031 | 1 |
| BAND,L=186 (Ref # 92072A) | 92072-056 | 1 |
| BAND,L=188 (Ref # 92072B) | 92072-1239 | 4 |
| DAMPER (Ref # 92075) | 92075-1882 | 2 |
| DAMPER (Ref # 92161) | 92161-0106 | 3 |
| DAMPER,FUEL TANK,RR (Ref # 92161A) | 92161-1111 | 2 |
| CLAMP,FUEL TUBE (Ref # 92173) | 92173-0872 | 1 |
| TUBE,FUEL TANK-CHECK VALVE (Ref # 92192) | 92192-0067 | 1 |
| TUBE,FRAME PIPE-CHECK VALVE (Ref # 92192A) | 92192-0068 | 2 |
| TUBE,5X10X80/22 (Ref # 92192B) | 92192-0992 | 1 |
| TUBE,5X10X470 (Ref # 92192C) | 92192-0993 | 2 |