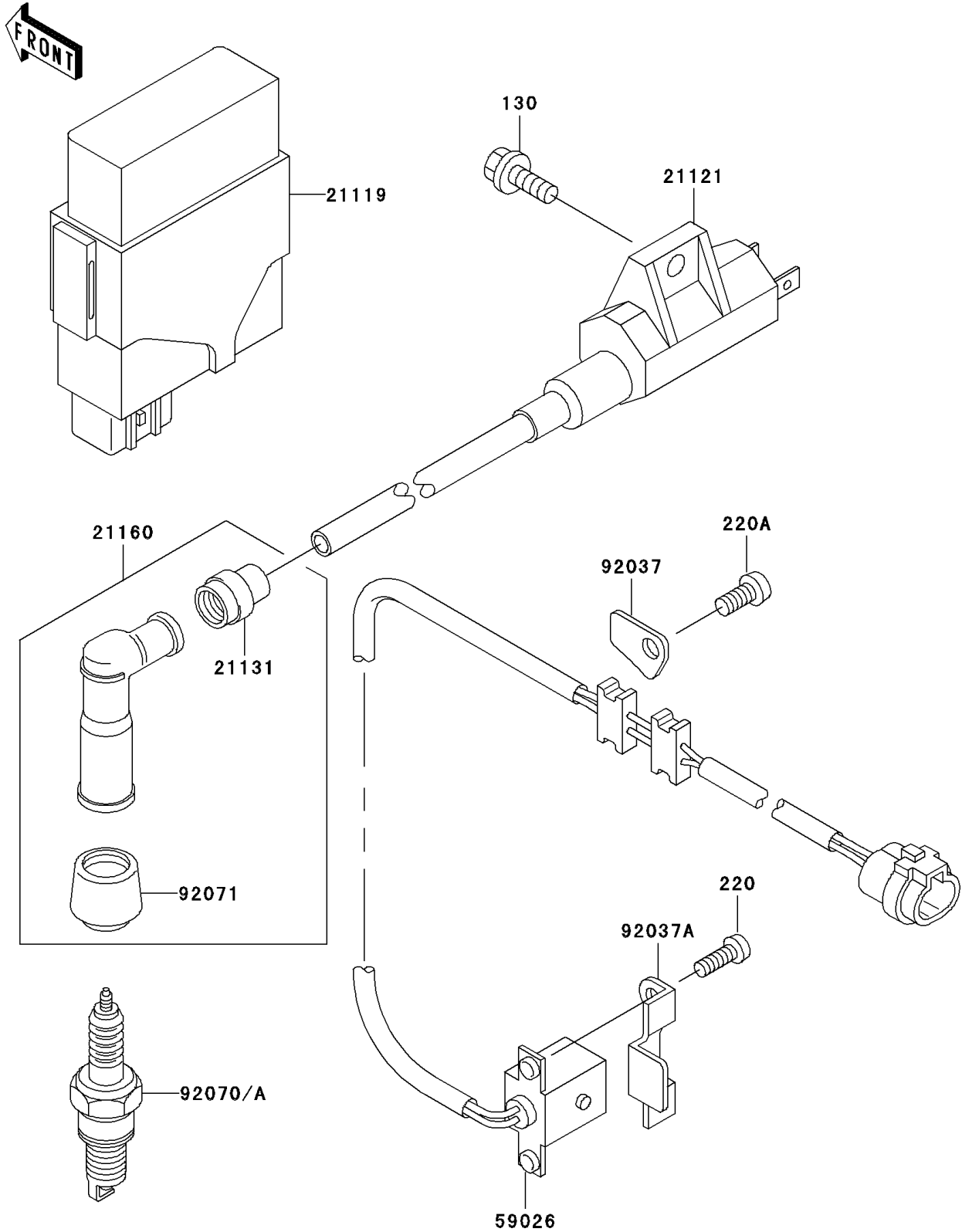


2000 Prairie 300 PARTS DIAGRAM

Ignition System

E1830



2000 Prairie 300 PARTS LIST

Ignition System

ITEM NAME	PART NUMBER	QUANTITY
BOLT-FLANGED,6X16 (Ref # 130)	130D0616	1
SCREW-PAN-CROS,5X14 (Ref # 220)	220B0514	2
SCREW-PAN-CROS,6X12 (Ref # 220A)	220B0612	1
IGNITER (Ref # 21119)	21119-1517	1
COIL-IGNITION (Ref # 21121)	21121-1160	1
GROMMET,HIGH TENSION (Ref # 21131)	21131-005	1
CAP-ASSY-PLUG (Ref # 21160)	21160-1089	1
COIL-PULSING (Ref # 59026)	59026-1146	1
CLAMP,WIRING HARNESS (Ref # 92037)	92037-1656	1
CLAMP (Ref # 92037A)	92037-1987	1
PLUG-SPARK,DR8EA(NGK) (Ref # 92070A)	92070-1199	1
GROMMET,PLUG CAP (Ref # 92071)	92071-1184	1