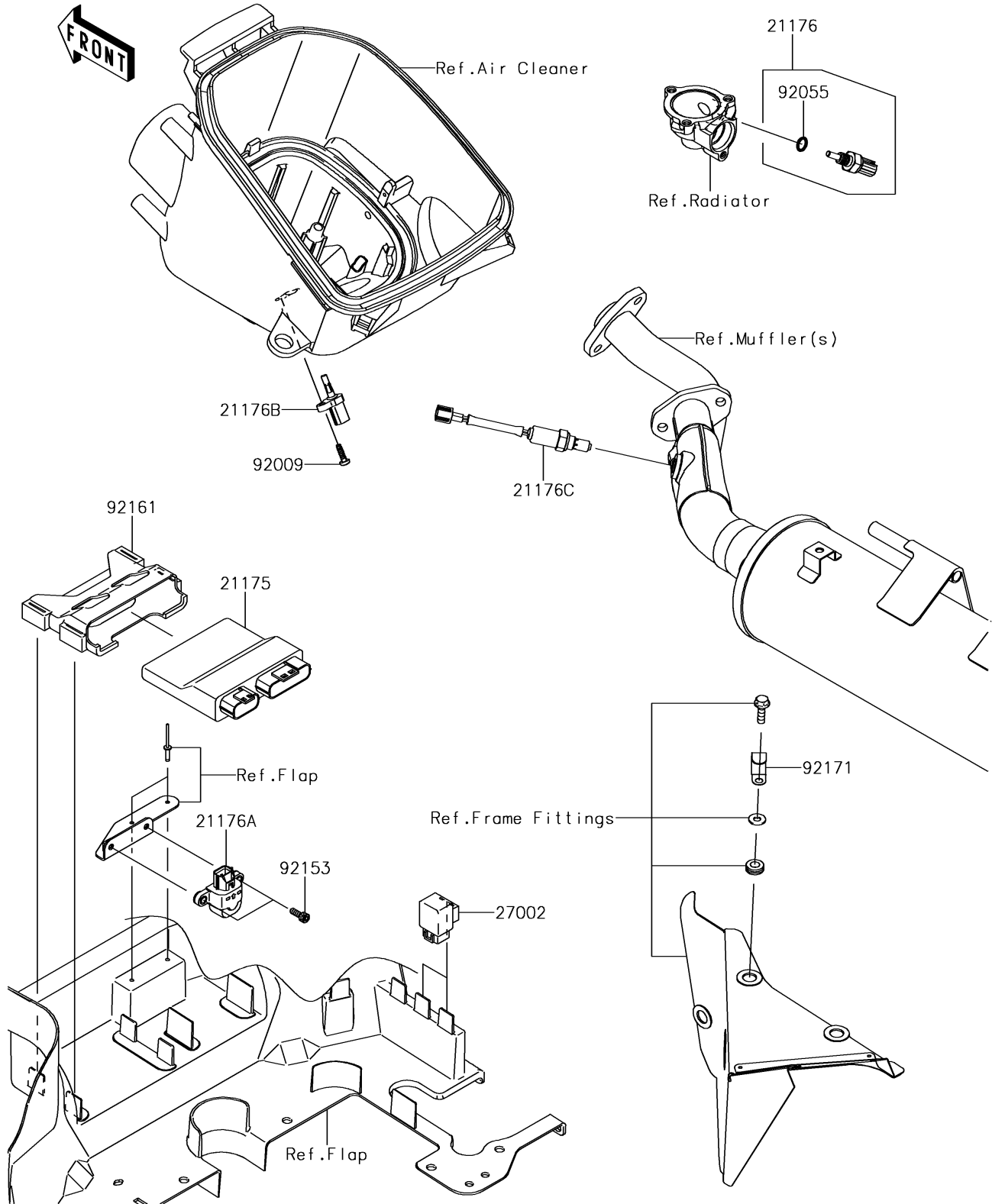


# 2018 BRUTE FORCE® 750 4x4i PARTS DIAGRAM

Fuel Injection

E1530



## 2018 BRUTE FORCE® 750 4x4i PARTS LIST

### Fuel Injection

| ITEM NAME                             | PART NUMBER | QUANTITY |
|---------------------------------------|-------------|----------|
| CONTROL UNIT-ELECTRONIC (Ref # 21175) | 21175-0843  | 1        |
| SENSOR,WATER TEMP (Ref # 21176)       | 21176-0009  | 1        |
| SENSOR,VEHICLE-DOWN (Ref # 21176A)    | 21176-0026  | 1        |
| SENSOR,AIR TEMPERATURE (Ref # 21176B) | 21176-0048  | 1        |
| SENSOR,OXYGEN (Ref # 21176C)          | 21176-0744  | 1        |
| RELAY-ASSY (Ref # 27002)              | 27002-1062  | 2        |
| SCREW,TAPPING,5X16 (Ref # 92009)      | 92009-1984  | 1        |
| RING-O,9.5X1.9 (Ref # 92055)          | 92055-0016  | 1        |
| BOLT,SOCKET,5X14 (Ref # 92153)        | 92153-1286  | 2        |
| DAMPER (Ref # 92161)                  | 92161-0465  | 1        |
| CLAMP (Ref # 92171)                   | 92171-0739  | 1        |