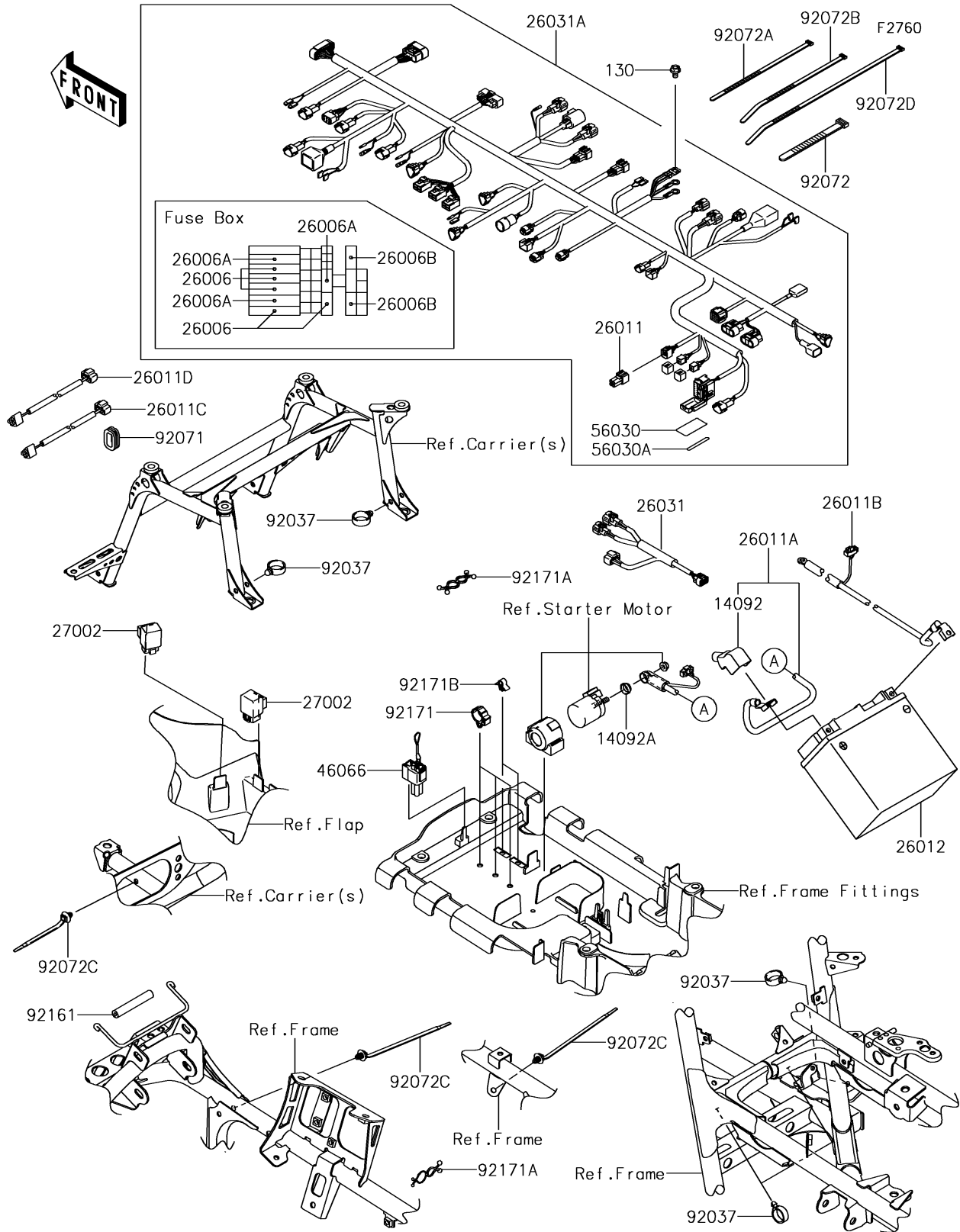


2018 BRUTE FORCE® 750 4x4i PARTS DIAGRAM

Chassis Electrical Equipment



2018 BRUTE FORCE® 750 4x4i PARTS LIST

Chassis Electrical Equipment

| ITEM NAME | PART NUMBER | QUANTITY |
|--------------------------------------------|-------------|----------|
| BOLT-FLANGED,6X10 (Ref # 130) | 130BA0610 | 1 |
| COVER (Ref # 14092) | 14092-0767 | 1 |
| COVER,MAGNETIC SW. (Ref # 14092A) | 14092-0851 | 1 |
| FUSE,MINI BLADE,15A,BLUE (Ref # 26006) | 26006-0001 | 5 |
| FUSE,MINI BLADE,10A,RED (Ref # 26006A) | 26006-0009 | 3 |
| FUSE,MINI BLADE,30A,GREEN (Ref # 26006B) | 26006-1080 | 2 |
| WIRE-LEAD,CAP (Ref # 26011) | 26011-0271 | 1 |
| WIRE-LEAD,BATTERY(+) (Ref # 26011A) | 26011-0303 | 1 |
| WIRE-LEAD,BATTERY(-) (Ref # 26011B) | 26011-0304 | 1 |
| WIRE-LEAD,HEAD LAMP,RH (Ref # 26011C) | 26011-0721 | 1 |
| WIRE-LEAD,HEAD LAMP,LH (Ref # 26011D) | 26011-0743 | 1 |
| BATTERY,MF,KMX14-BS,12V 12AH (Ref # 26012) | 26012-1414 | 1 |
| HARNESS,SUB (Ref # 26031) | 26031-0752 | 1 |
| HARNESS,MAIN (Ref # 26031A) | 26031-1740 | 1 |
| RELAY-ASSY (Ref # 27002) | 27002-1062 | 2 |
| CONNECTOR-ASSY,RESET (Ref # 46066) | 46066-0001 | 1 |
| LABEL,FUSE BOX,10A&15A (Ref # 56030) | 56030-0401 | 1 |
| LABEL,FUSE BOX,30A (Ref # 56030A) | 56030-0404 | 1 |
| CLAMP,HOSE (Ref # 92037) | 92037-1827 | 5 |
| GROMMET (Ref # 92071) | 92071-0708 | 1 |
| BAND,L=123 (Ref # 92072) | 92072-030 | 12 |
| BAND,L=186 (Ref # 92072A) | 92072-056 | 3 |
| BAND,L=188 (Ref # 92072B) | 92072-1239 | 4 |
| BAND,OS170-FT7(BLACK) (Ref # 92072C) | 92072-1414 | 3 |
| BAND,L=292.1 (Ref # 92072D) | 92072-3509 | 3 |
| DAMPER,4.5X11X68 (Ref # 92161) | 92161-0988 | 1 |
| CLAMP,BRAKE HOSE (Ref # 92171) | 92171-0316 | 3 |
| CLAMP (Ref # 92171A) | 92171-0476 | 2 |
| CLAMP (Ref # 92171B) | 92171-0477 | 2 |