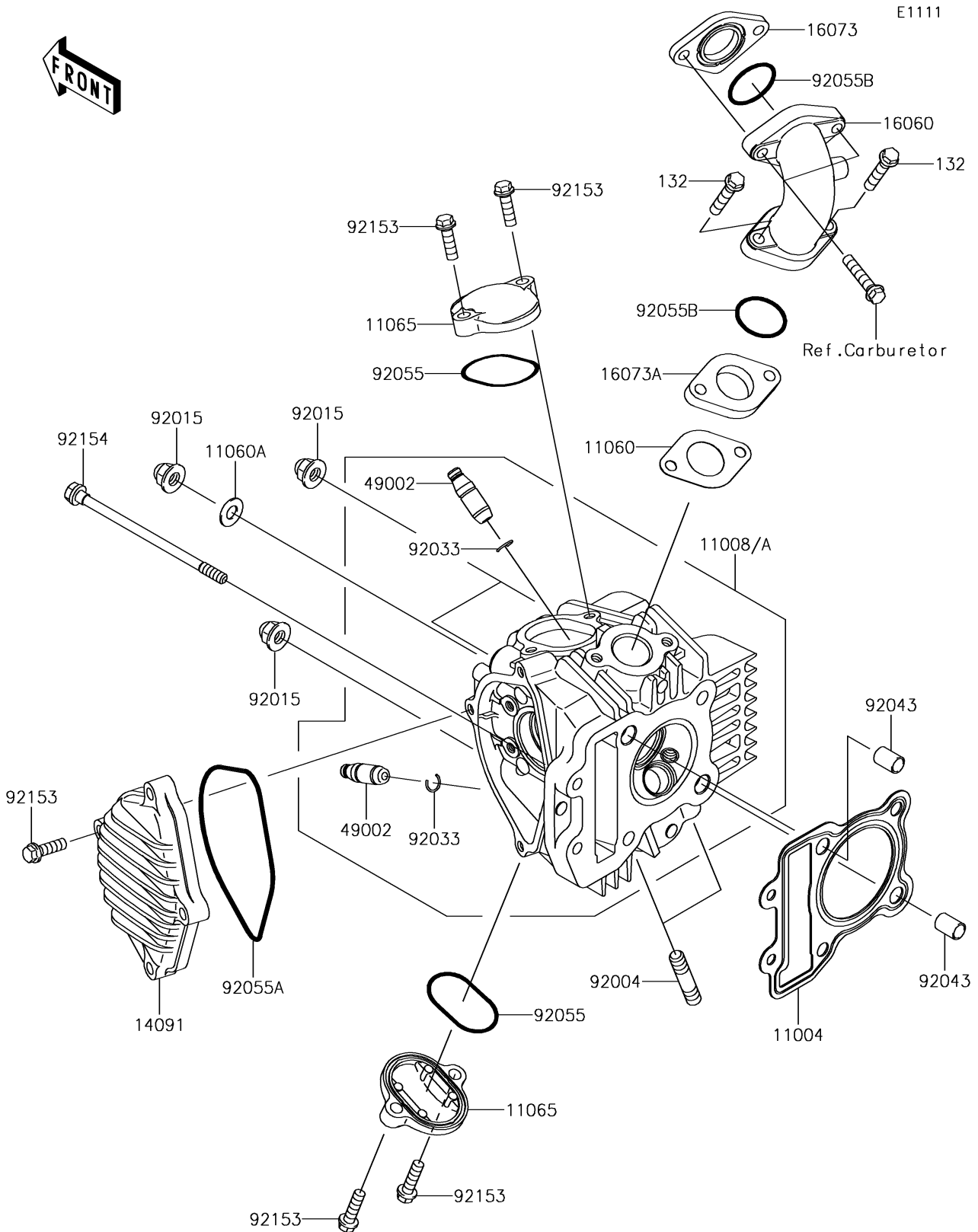


# 2018 KLX®110 PARTS DIAGRAM

## Cylinder Head



## 2018 KLX®110 PARTS LIST

### Cylinder Head

| ITEM NAME                           | PART NUMBER | QUANTITY |
|-------------------------------------|-------------|----------|
| GASKET-HEAD (Ref # 11004)           | 11004-1338  | 1        |
| HEAD-COMP-CYLINDER (Ref # 11008A)   | 11008-0890  | 1        |
| GASKET,INTAKE PIPE (Ref # 11060)    | 11060-1753  | 1        |
| GASKET (Ref # 11060A)               | 11060-1862  | 1        |
| CAP,VALVE,ADJUSTING (Ref # 11065)   | 11065-0800  | 2        |
| BOLT-FLANGED-SMALL,6X30 (Ref # 132) | 132BD0630   | 2        |
| COVER,CAMSHAFT (Ref # 14091)        | 14091-1447  | 1        |
| PIPE-INTAKE (Ref # 16060)           | 16060-0021  | 1        |
| INSULATOR,CARBURETOR (Ref # 16073)  | 16073-1102  | 1        |
| INSULATOR,HEAD (Ref # 16073A)       | 16073-1108  | 1        |
| GUIDE-VALVE (Ref # 49002)           | 49002-0033  | 2        |
| STUD,8X28.5 (Ref # 92004)           | 92004-1284  | 2        |
| NUT,CAP,8MM (Ref # 92015)           | 92015-1151  | 4        |
| RING-SNAP (Ref # 92033)             | 92033-1247  | 2        |
| PIN,8.2X10X14 (Ref # 92043)         | 92043-0100  | 2        |
| RING-O,ADJUST CAP (Ref # 92055)     | 92055-1231  | 2        |
| RING-O,91X2.5 (Ref # 92055A)        | 92055-1527  | 1        |
| RING-O,25.5X2.0 (Ref # 92055B)      | 92055-1528  | 2        |
| BOLT,6X20 (Ref # 92153)             | 92153-1184  | 8        |
| BOLT,6X106 (Ref # 92154)            | 92154-2693  | 2        |