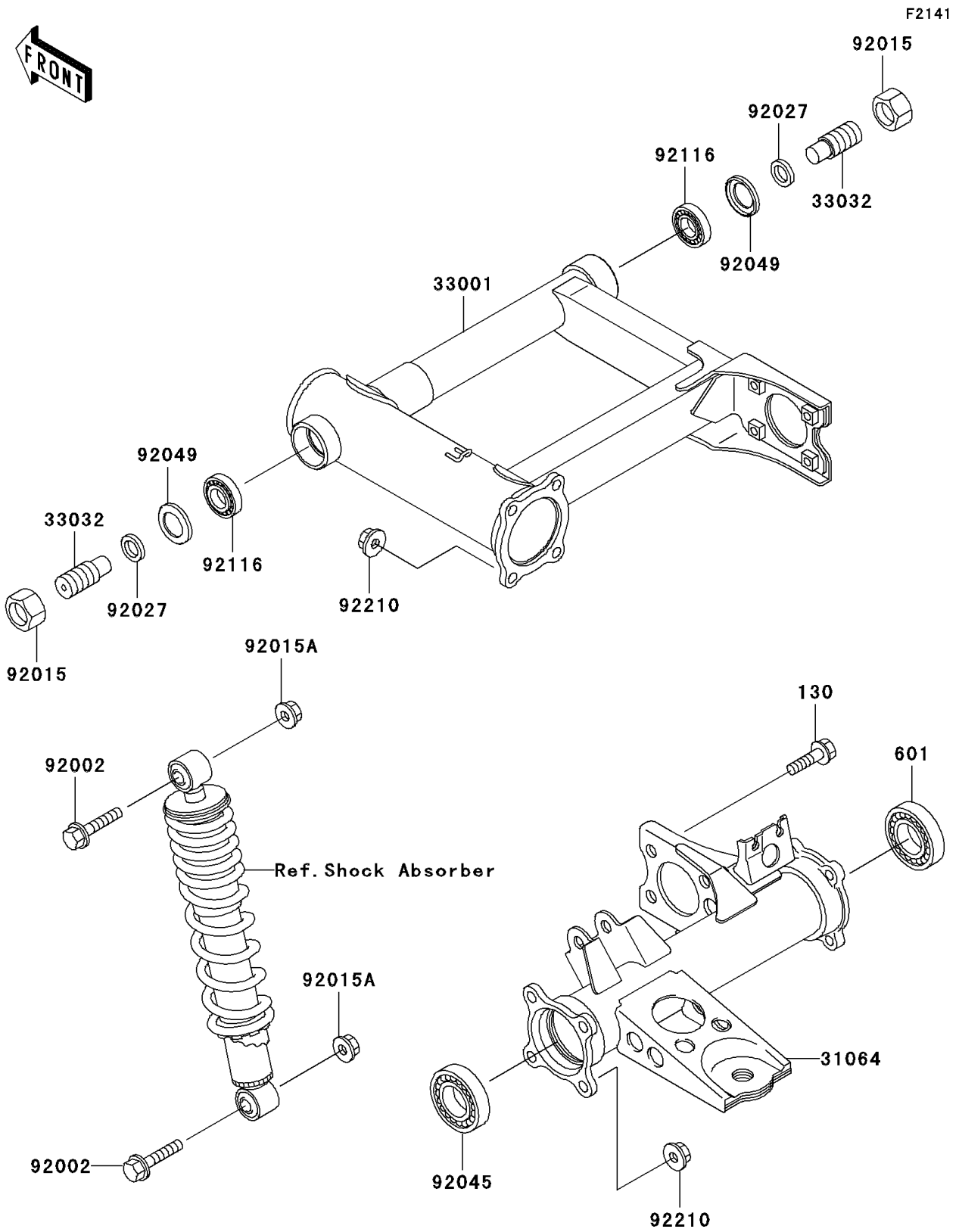


2001 Prairie 300 PARTS DIAGRAM

Swingarm



2001 Prairie 300 PARTS LIST

Swingarm

| ITEM NAME | PART NUMBER | QUANTITY |
|--|-------------|----------|
| BOLT-FLANGED,10X25 (Ref # 130) | 130J1025 | 4 |
| BEARING-BALL,#6008UU (Ref # 601) | 601A6008UU | 1 |
| PIPE-COMP (Ref # 31064) | 31064-1212 | 1 |
| ARM-COMP-SWING (Ref # 33001) | 33001-1552 | 1 |
| SHAFT-SWING ARM (Ref # 33032) | 33032-1034 | 2 |
| BOLT,FLANGED,12X55 (Ref # 92002) | 92002-1840 | 2 |
| NUT,22MM (Ref # 92015) | 92015-1229 | 2 |
| NUT,FLANGED,LOCK,12MM (Ref # 92015A) | 92015-1617 | 2 |
| COLLAR,17X26X4.5 (Ref # 92027) | 92027-1394 | 2 |
| BEARING-BALL (Ref # 92045) | 92045-1177 | 1 |
| SEAL-OIL,26406 (Ref # 92049) | 92049-1030 | 2 |
| BEARING-ROLLER,4T30203E1 (Ref # 92116) | 92116-1001 | 2 |
| NUT,LOCK,FLANGED,10MM (Ref # 92210) | 92210-1080 | 8 |