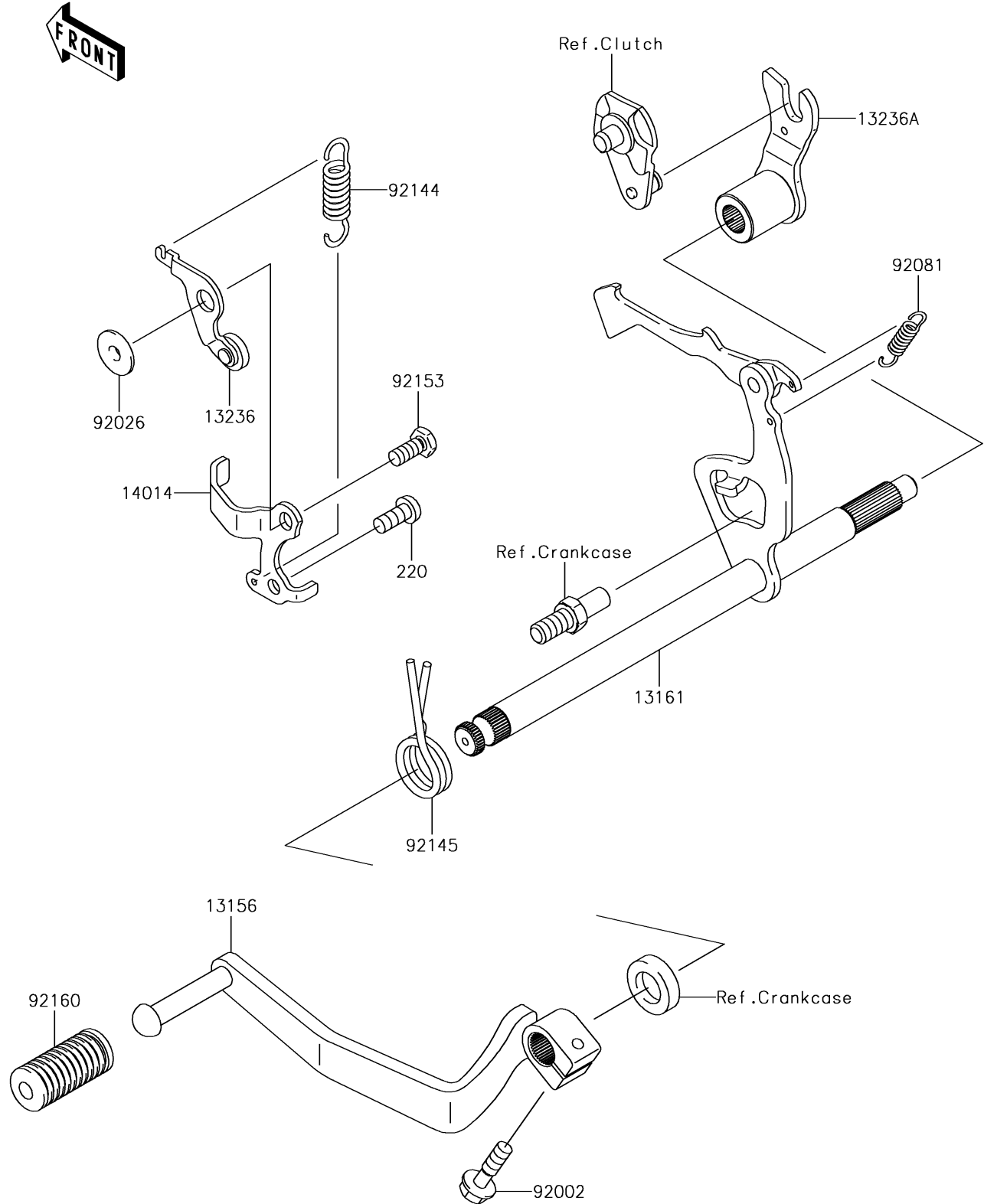


2017 KLX®110 PARTS DIAGRAM

Gear Change Mechanism

E1370



2017 KLX®110 PARTS LIST

Gear Change Mechanism

| ITEM NAME | PART NUMBER | QUANTITY |
|---------------------------------------|-------------|----------|
| LEVER-CHANGE (Ref # 13156) | 13156-0144 | 1 |
| LEVER-COMP-CHANGE SHAFT (Ref # 13161) | 13161-0019 | 1 |
| LEVER-COMP,POSITION (Ref # 13236) | 13236-1256 | 1 |
| LEVER-COMP (Ref # 13236A) | 13236-1288 | 1 |
| PLATE-POSITION (Ref # 14014) | 14014-0037 | 1 |
| SCREW-PAN-CROS,6X14 (Ref # 220) | 220AA0614 | 1 |
| BOLT,6X20 (Ref # 92002) | 92002-1237 | 1 |
| SPACER (Ref # 92026) | 92026-1217 | 1 |
| SPRING,CHANGE LEVER (Ref # 92081) | 92081-076 | 1 |
| SPRING (Ref # 92144) | 92144-1590 | 1 |
| SPRING (Ref # 92145) | 92145-0757 | 1 |
| BOLT,6X14 (Ref # 92153) | 92153-0571 | 1 |
| DAMPER,CHANGE PEDAL (Ref # 92160) | 92160-1036 | 1 |