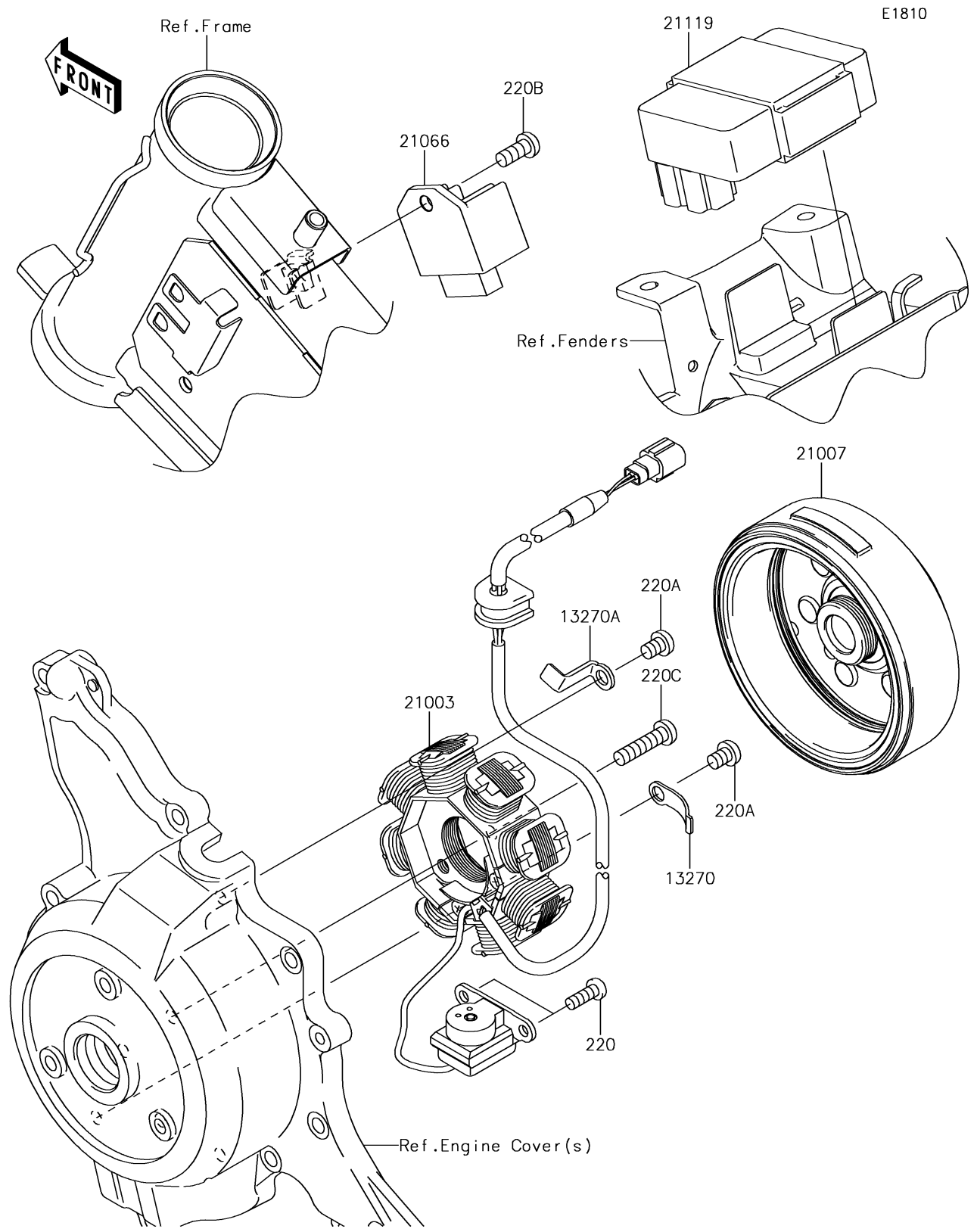


2015 KLX®110 PARTS DIAGRAM

Generator



2015 KLX®110 PARTS LIST

Generator

| ITEM NAME | PART NUMBER | QUANTITY |
|----------------------------------|-------------|----------|
| PLATE (Ref # 13270) | 13270-1754 | 1 |
| PLATE (Ref # 13270A) | 13270-1961 | 1 |
| STATOR (Ref # 21003) | 21003-0097 | 1 |
| ROTOR (Ref # 21007) | 21007-0137 | 1 |
| REGULATOR-VOLTAGE (Ref # 21066) | 21066-0046 | 1 |
| IGNITER (Ref # 21119) | 21119-0101 | 1 |
| SCREW-PAN-CROS,5X14 (Ref # 220) | 220AA0514 | 2 |
| SCREW-PAN-CROS,6X8 (Ref # 220A) | 220AA0608 | 2 |
| SCREW-PAN-CROS,6X14 (Ref # 220B) | 220AA0614 | 1 |
| SCREW-PAN-CROS,6X25 (Ref # 220C) | 220AA0625 | 2 |