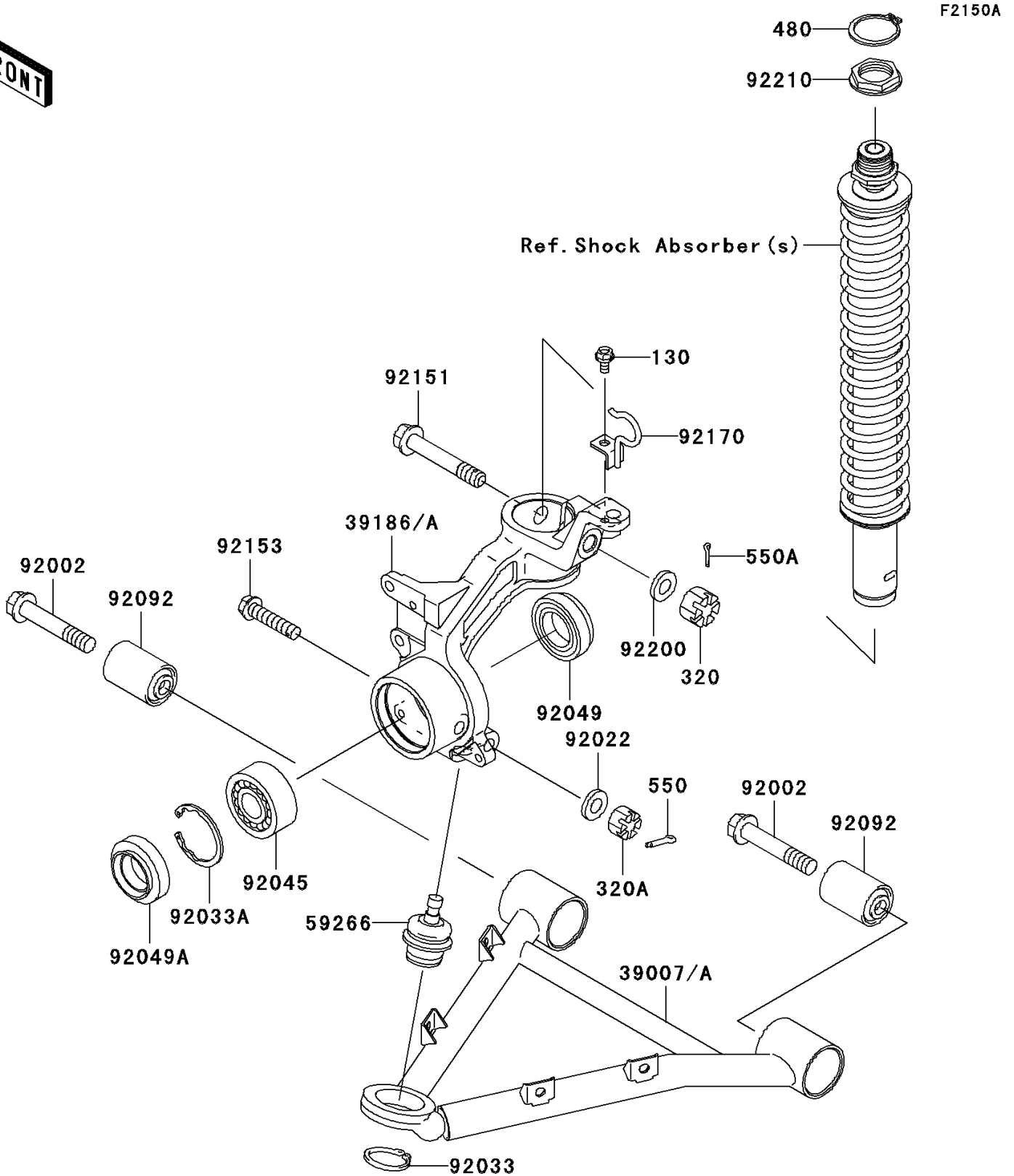


2001 Prairie 300 PARTS DIAGRAM

Suspension(B3/B4)



2001 Prairie 300 PARTS LIST

Suspension(B3/B4)

ITEM NAME	PART NUMBER	QUANTITY
BOLT-FLANGED,6X12 (Ref # 130)	130J0612	2
NUT-CASTLE (Ref # 320)	320G1200	2
NUT-CASTLE (Ref # 320A)	320H1000	2
CIRCLIP-TYPE-C,32MM (Ref # 480)	480J3200	2
PIN-COTTER,2.0X15 (Ref # 550)	550D2015	2
PIN-COTTER,3.0X25 (Ref # 550A)	550D3025	2
ARM-SUSP,FR,LWR,LH (Ref # 39007)	39007-1290	1
ARM-SUSP,FR,LWR,RH (Ref # 39007A)	39007-1291	1
KNUCKLE,FR,LH (Ref # 39186)	39186-0008	1
KNUCKLE,FR,RH (Ref # 39186A)	39186-0009	1
JOINT-BALL (Ref # 59266)	59266-1115	2
BOLT,FLANGED,12X67 (Ref # 92002)	92002-1861	4
WASHER,10.2X16X1 (Ref # 92022)	92022-1829	2
RING-SNAP,30MM (Ref # 92033)	92033-1218	2
RING-SNAP,55MM (Ref # 92033A)	92033-1274	2
BEARING-BALL,DAC3055C2RKCD3 (Ref # 92045)	92045-1222	2
SEAL-OIL,MT038N1 (Ref # 92049)	92049-1476	2
SEAL-OIL,SDD04 38 55 8 (Ref # 92049A)	92049-1477	2
BUSHING-RUBBER (Ref # 92092)	92092-1076	4
BOLT,FLANGED,12X65.5 (Ref # 92151)	92151-1101	2
BOLT,FLANGED,10X44 (Ref # 92153)	92153-0579	2
CLAMP,HOSE (Ref # 92170)	92170-1720	2
WASHER,12.3X23X2.3 (Ref # 92200)	92200-1004	2
NUT,35MM (Ref # 92210)	92210-1066	2