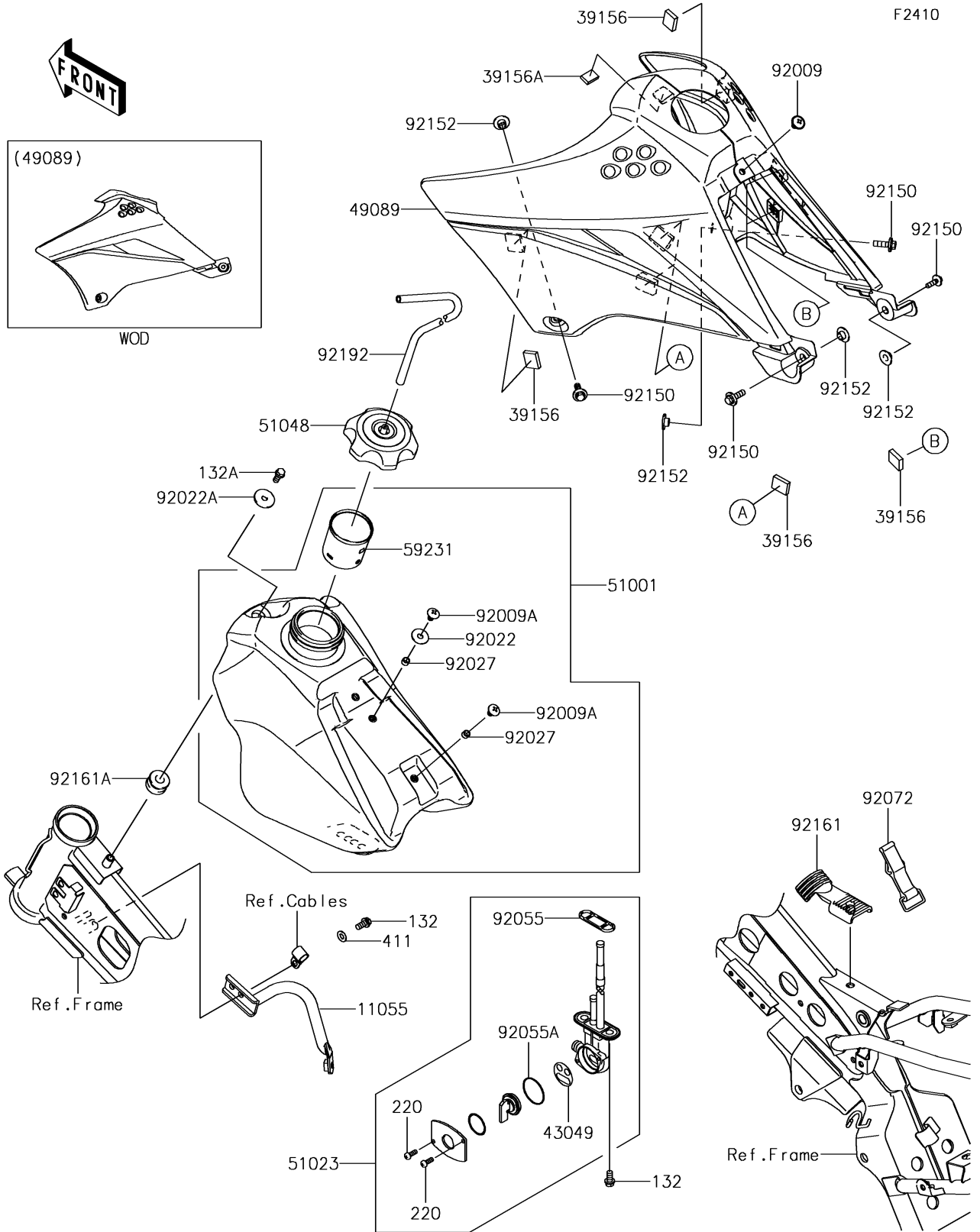


2016 KLX®110 PARTS DIAGRAM

Fuel Tank



2016 KLX®110 PARTS LIST

Fuel Tank

ITEM NAME	PART NUMBER	QUANTITY
-----------	-------------	----------