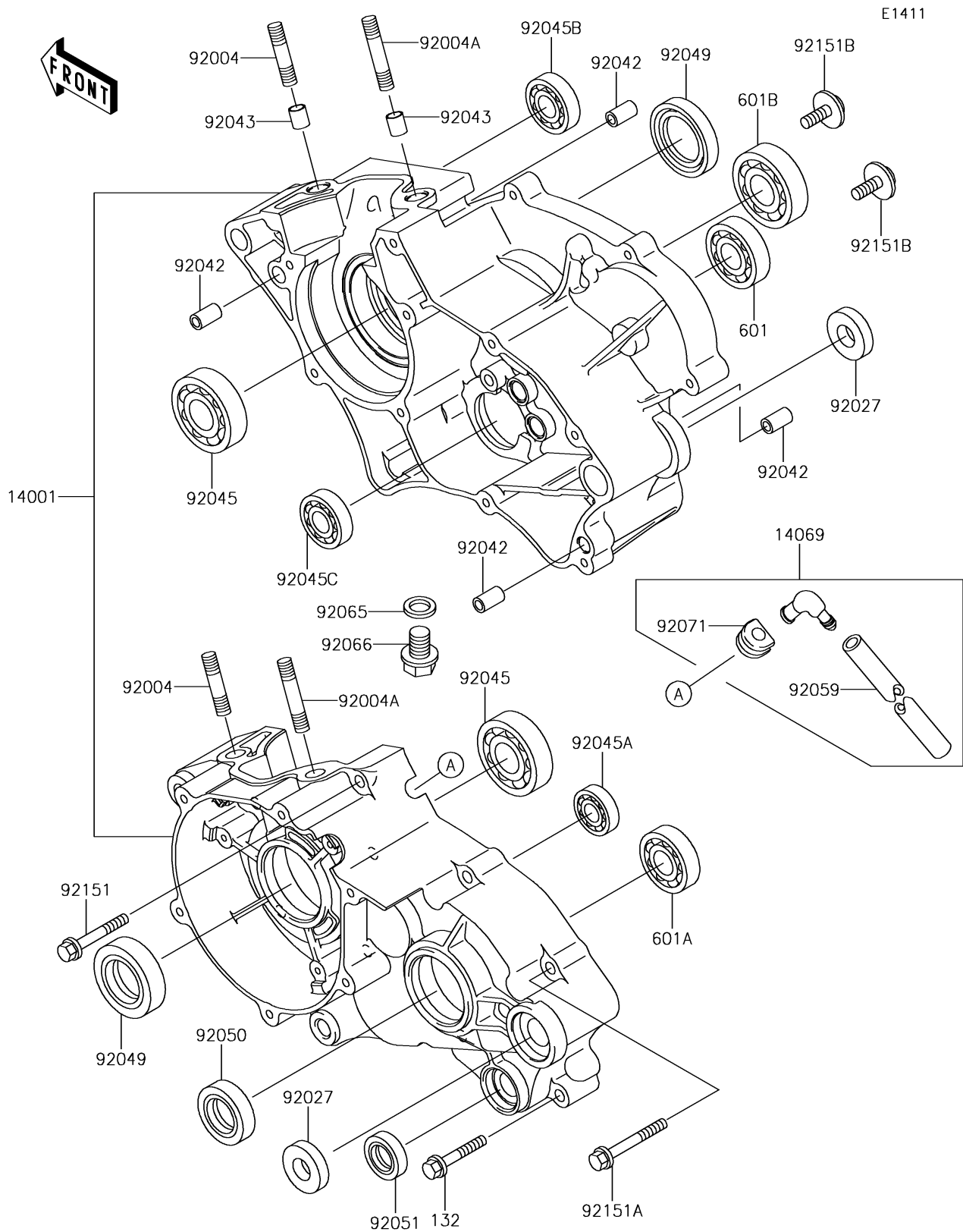


2015 KX™ 65 PARTS DIAGRAM

Crankcase



2015 KX™ 65 PARTS LIST

Crankcase

| ITEM NAME | PART NUMBER | QUANTITY |
|--|-------------|----------|
| BOLT-FLANGED-SMALL,6X35 (Ref # 132) | 132BA0635 | 3 |
| SET-CRANKCASE (Ref # 14001) | 14001-0119 | 1 |
| BREATHER (Ref # 14069) | 14069-1003 | 1 |
| BEARING-BALL,#6002 (Ref # 601) | 601A6002 | 1 |
| BEARING-BALL,#6004 (Ref # 601A) | 601A6004 | 1 |
| BEARING-BALL,#6203 (Ref # 601B) | 601A6203 | 1 |
| STUD,8X30 (Ref # 92004) | 92004-0019 | 2 |
| STUD,8X38 (Ref # 92004A) | 92004-0020 | 2 |
| COLLAR,12.1X26X6 (Ref # 92027) | 92027-1744 | 2 |
| PIN,DOWEL,6.3X8X14 (Ref # 92042) | 92042-007 | 4 |
| PIN,8.2X10X14 (Ref # 92043) | 92043-1264 | 2 |
| BEARING-BALL,R-6304C3 (Ref # 92045) | 92045-1059 | 2 |
| BEARING-BALL,6001C3ML01 (Ref # 92045A) | 92045-1235 | 1 |
| BEARING-BALL,626MC3 (Ref # 92045B) | 92045-1304 | 1 |
| BEARING-BALL,6805JRZ (Ref # 92045C) | 92045-1432 | 1 |
| SEAL-OIL,SD20407GS (Ref # 92049) | 92049-1188 | 2 |
| SEAL-OIL,SC25376 (Ref # 92050) | 92050-013 | 1 |
| SEAL-OIL,TB13225.5 (Ref # 92051) | 92051-005 | 1 |
| TUBE,6X9X280 (Ref # 92059) | 92059-1074 | 1 |
| GASKET,10.5X16X1 (Ref # 92065) | 92065-058 | 1 |
| PLUG,DRAIN (Ref # 92066) | 92066-1437 | 1 |
| GROMMET,BREATHER (Ref # 92071) | 92071-042 | 1 |
| BOLT,6X40 (Ref # 92151) | 92151-1131 | 5 |
| BOLT,6X55 (Ref # 92151A) | 92151-1132 | 1 |
| BOLT,6X16 (Ref # 92151B) | 92151-1762 | 2 |