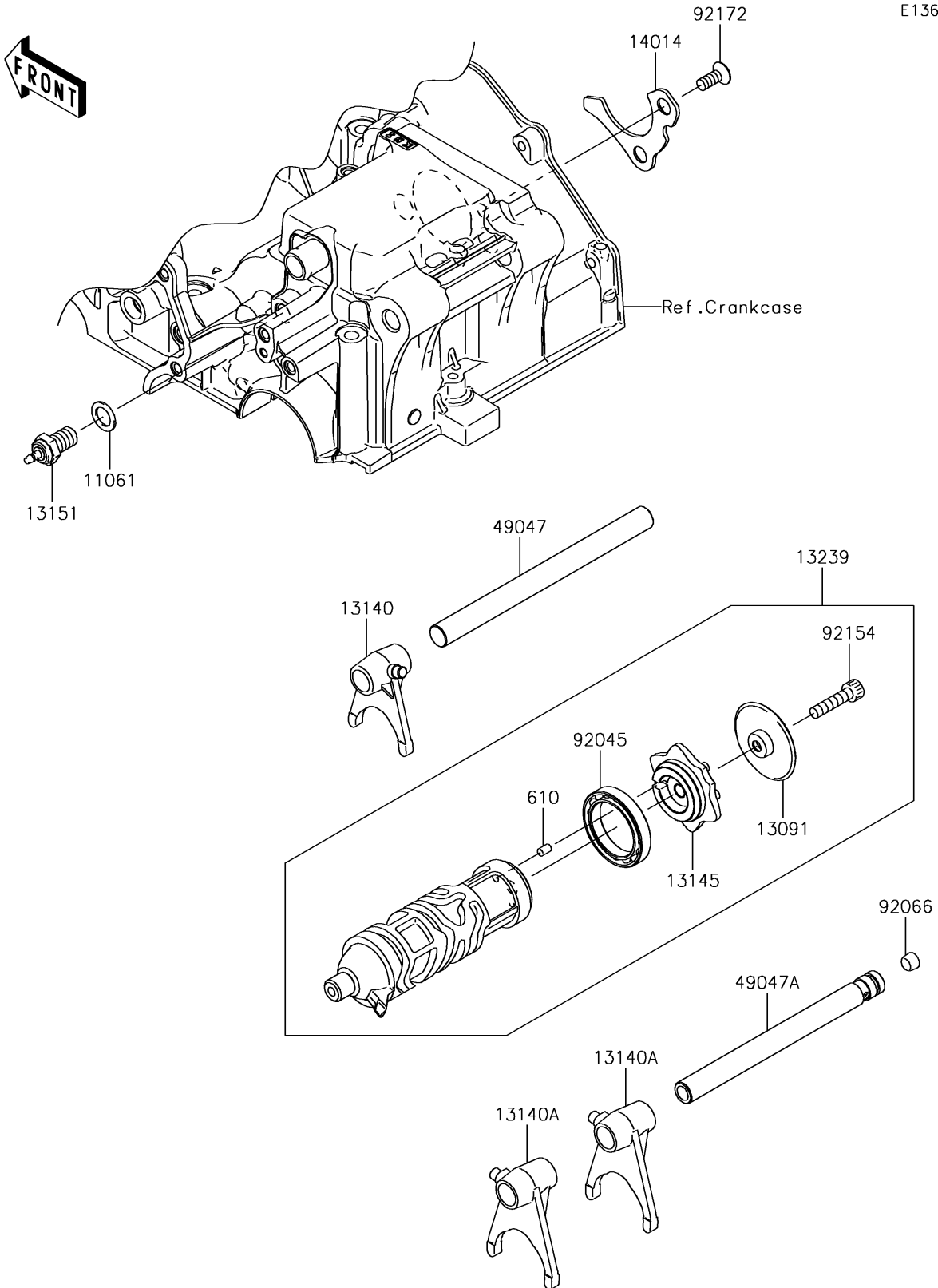


2017 Ninja 300 PARTS DIAGRAM

Gear Change Drum/Shift Fork(s)

E1362



2017 Ninja 300 PARTS LIST

Gear Change Drum/Shift Fork(s)

ITEM NAME	PART NUMBER	QUANTITY
GASKET,10.5X16X1 (Ref # 11061)	11061-0373	1
HOLDER,CHANGE DRUM (Ref # 13091)	13091-1464	1
FORK-SHIFT,IN (Ref # 13140)	13140-1148	1
FORK-SHIFT,OUT (Ref # 13140A)	13140-1149	2
CAM-CHANGE DRUM (Ref # 13145)	13145-0556	1
SWITCH-COMP,NEUTRAL (Ref # 13151)	13151-1102	1
DRUM-ASSY-CHANGE (Ref # 13239)	13239-0562	1
PLATE-POSITION (Ref # 14014)	14014-0564	1
ROD-SHIFT,IN (Ref # 49047)	49047-0625	1
ROD-SHIFT,OUT (Ref # 49047A)	49047-0626	1
ROLLER,4X6 (Ref # 610)	610A0406	1
BEARING-BALL,6806 (Ref # 92045)	92045-1152	1
PLUG (Ref # 92066)	92066-1246	1
BOLT,SOCKET,6X25 (Ref # 92154)	92154-0954	1
SCREW,6X15 (Ref # 92172)	92172-0812	2