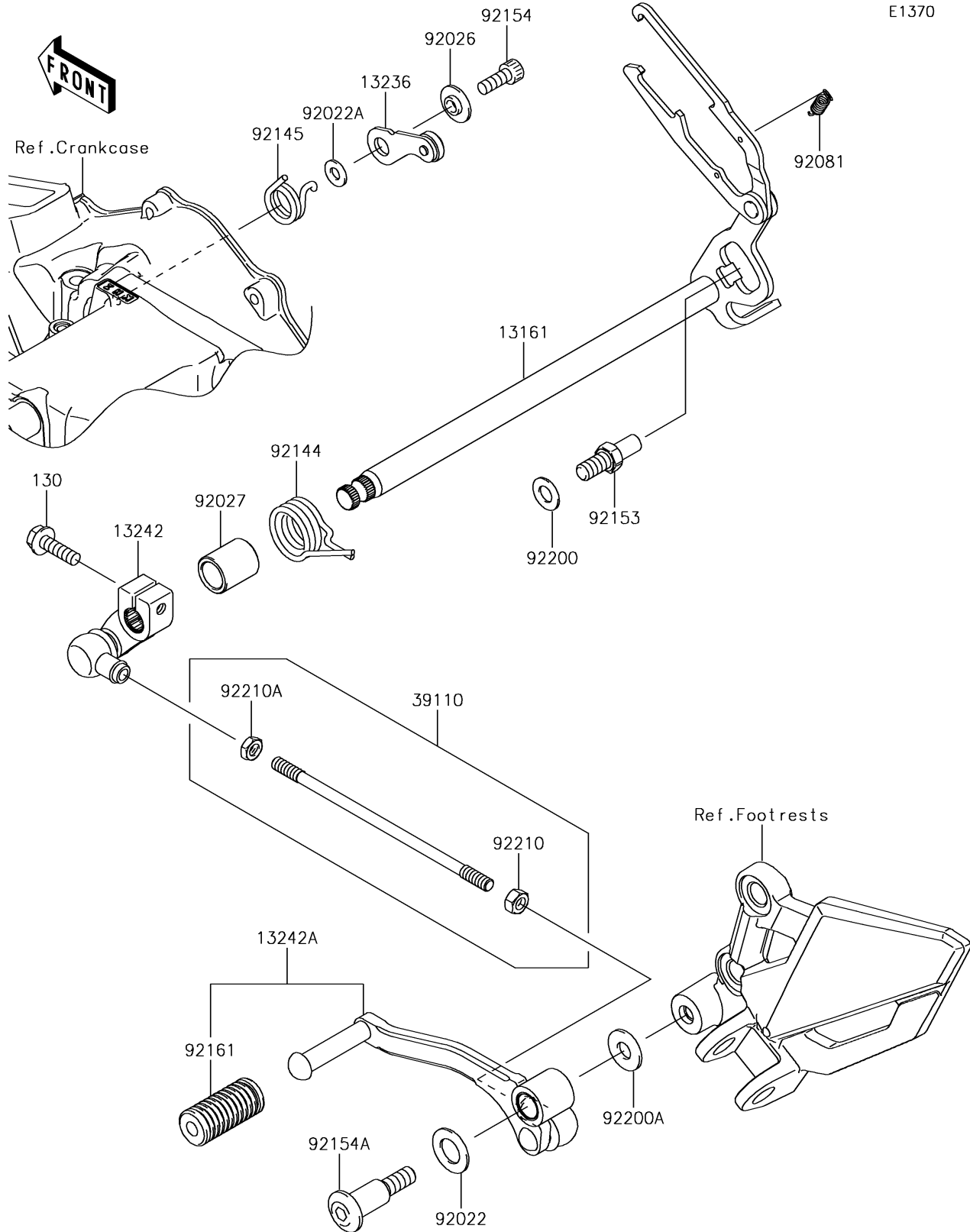


# 2016 Ninja® 300 SE PARTS DIAGRAM

## Gear Change Mechanism

E1370



## 2016 Ninja® 300 SE PARTS LIST

### Gear Change Mechanism

| ITEM NAME                                | PART NUMBER | QUANTITY |
|--|-------------|----------|
| BOLT-FLANGED,6X20 (Ref # 130)            | 130CB0620   | 1        |
| LEVER-COMP-CHANGE SHAFT (Ref # 13161)    | 13161-0560  | 1        |
| LEVER-COMP (Ref # 13236)                 | 13236-0775  | 1        |
| LEVER-ASSY-CHANGE (Ref # 13242)          | 13242-0087  | 1        |
| LEVER-ASSY-CHANGE,PEDAL (Ref # 13242A)   | 13242-0088  | 1        |
| ROD-ASSY-TIE (Ref # 39110)               | 39110-0307  | 1        |
| WASHER,12.5X22X1.2 (Ref # 92022)         | 92022-072   | 1        |
| WASHER,6X12.8X1.2 (Ref # 92022A)         | 92022-1827  | 1        |
| SPACER (Ref # 92026)                     | 92026-1217  | 1        |
| COLLAR,13X18.3X21.5 (Ref # 92027)        | 92027-1440  | 1        |
| SPRING,CHANGE LEVER (Ref # 92081)        | 92081-076   | 1        |
| SPRING,CHANGE PEDAL RETURN (Ref # 92144) | 92144-1074  | 1        |
| SPRING (Ref # 92145)                     | 92145-0895  | 1        |
| BOLT,8X15.5 (Ref # 92153)                | 92153-1986  | 1        |
| BOLT,SOCKET,6X16 (Ref # 92154)           | 92154-0235  | 1        |
| BOLT (Ref # 92154A)                      | 92154-1034  | 1        |
| DAMPER,CHANGE PEDAL (Ref # 92161)        | 92161-1466  | 1        |
| WASHER,8.2X16X1 (Ref # 92200)            | 92200-0434  | 1        |
| WASHER,8.5X20X1.6 (Ref # 92200A)         | 92200-0490  | 1        |
| NUT,6MM (Ref # 92210)                    | 92210-0778  | 1        |
| NUT,6MM (Ref # 92210A)                   | 92210-0779  | 1        |