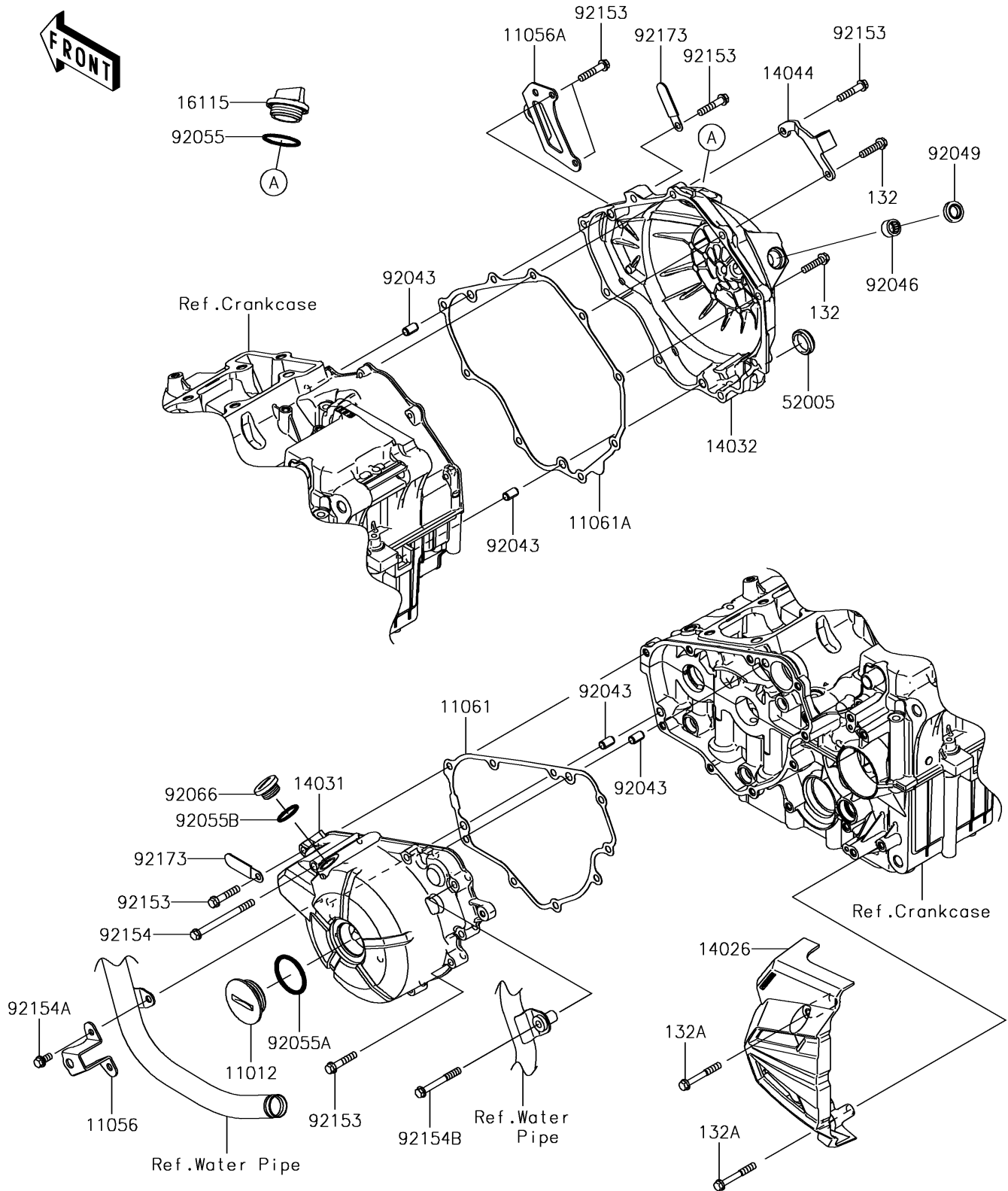


2017 Ninja 300 PARTS DIAGRAM

Engine Cover(s)

E1431



2017 Ninja 300 PARTS LIST

Engine Cover(s)

ITEM NAME	PART NUMBER	QUANTITY
CAP (Ref # 11012)	11012-1362	1
BRACKET (Ref # 11056)	11056-1637	1
BRACKET (Ref # 11056A)	11056-1638	1
GASKET,GENERATOR COVER (Ref # 11061)	11061-0793	1
GASKET,CLUTCH COVER (Ref # 11061A)	11061-0854	1
BOLT-FLANGED-SMALL,6X25 (Ref # 132)	132BB0625	2
BOLT-FLANGED-SMALL,6X45 (Ref # 132A)	132BB0645	2
COVER-CHAIN (Ref # 14026)	14026-0096	1
COVER-GENERATOR (Ref # 14031)	14031-0562	1
COVER-CLUTCH (Ref # 14032)	14032-0579	1
HOLDER-CABLE (Ref # 14044)	14044-0049	1
CAP-OIL FILLER (Ref # 16115)	16115-1068	1
GAUGE,OIL LEVEL (Ref # 52005)	52005-1009	1
PIN,6.2X8X14 (Ref # 92043)	92043-1263	4
BEARING-NEEDLE,HK1210FM (Ref # 92046)	92046-0034	1
SEAL-OIL (Ref # 92049)	92049-1560	1
RING-O,31.5X2.6 (Ref # 92055)	92055-049	1
RING-O,39.4X3.1 (Ref # 92055A)	92055-0734	1
RING-O,20X2 (Ref # 92055B)	92055-1146	1
PLUG (Ref # 92066)	92066-0748	1
BOLT,6X30 (Ref # 92153)	92153-0832	14
BOLT,FLANGED-SMALL,6X75 (Ref # 92154)	92154-0960	1
BOLT,FLANGED,6X12 (Ref # 92154A)	92154-1140	2
BOLT,FLANGED,6X50 (Ref # 92154B)	92154-1871	1
CLAMP,L=45 (Ref # 92173)	92173-0194	2