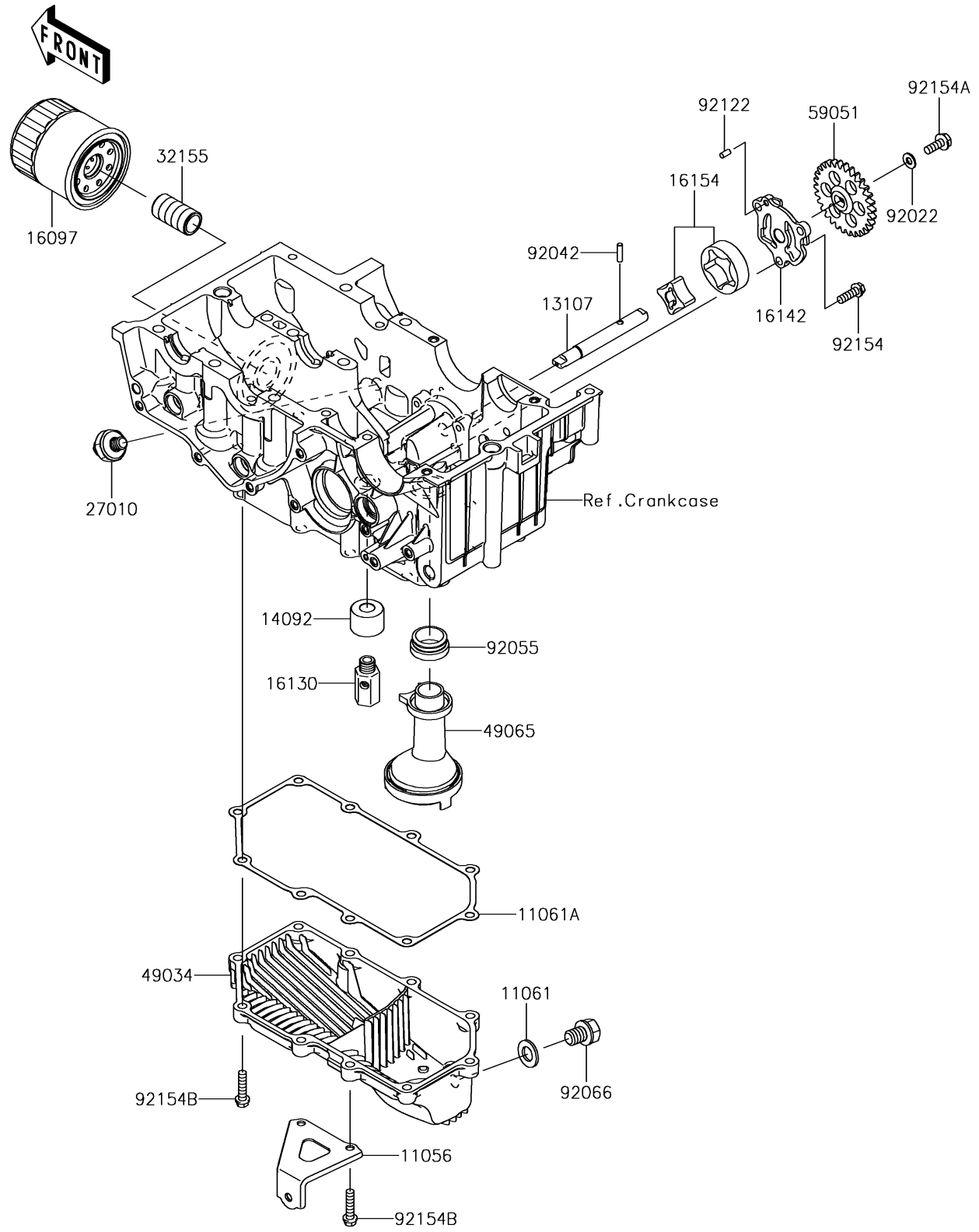


# 2017 Ninja 300 ABS PARTS DIAGRAM

Oil Pump/Oil Filter

E1710



## 2017 Ninja 300 ABS PARTS LIST

### Oil Pump/Oil Filter

| ITEM NAME                          | PART NUMBER | QUANTITY |
|------------------------------------|-------------|----------|
| BRACKET (Ref # 11056)              | 11056-1640  | 1        |
| GASKET,12X22X2 (Ref # 11061)       | 11061-0417  | 1        |
| GASKET,OIL PAN (Ref # 11061A)      | 11061-0794  | 1        |
| SHAFT (Ref # 13107)                | 13107-0741  | 1        |
| COVER,RELIEF VALVE (Ref # 14092)   | 14092-1002  | 1        |
| FILTER-ASSY-OIL (Ref # 16097)      | 16097-0008  | 1        |
| VALVE-ASSY-RELIEF (Ref # 16130)    | 16130-0002  | 1        |
| COVER-PUMP (Ref # 16142)           | 16142-0707  | 1        |
| ROTOR-PUMP (Ref # 16154)           | 16154-0711  | 1        |
| SWITCH,OIL PRESSURE (Ref # 27010)  | 27010-1313  | 1        |
| PIPE,OIL FILTER (Ref # 32155)      | 32155-0029  | 1        |
| PAN-OIL (Ref # 49034)              | 49034-0563  | 1        |
| FILTER-OIL (Ref # 49065)           | 49065-0711  | 1        |
| GEAR-SPUR,30T (Ref # 59051)        | 59051-0721  | 1        |
| WASHER,6X12.8X1.2 (Ref # 92022)    | 92022-1827  | 1        |
| PIN,DOWEL,4X15.8 (Ref # 92042)     | 92042-014   | 1        |
| RING-O,OIL FILTER (Ref # 92055)    | 92055-1354  | 1        |
| PLUG,OIL DRAIN,12X15 (Ref # 92066) | 92066-0767  | 1        |
| ROLLER,4X8 (Ref # 92122)           | 92122-0557  | 1        |
| BOLT,FLANGED,6X18 (Ref # 92154)    | 92154-0784  | 3        |
| BOLT,FLANGED,6X16 (Ref # 92154A)   | 92154-1055  | 1        |
| BOLT,FLANGED,6X25 (Ref # 92154B)   | 92154-1212  | 10       |