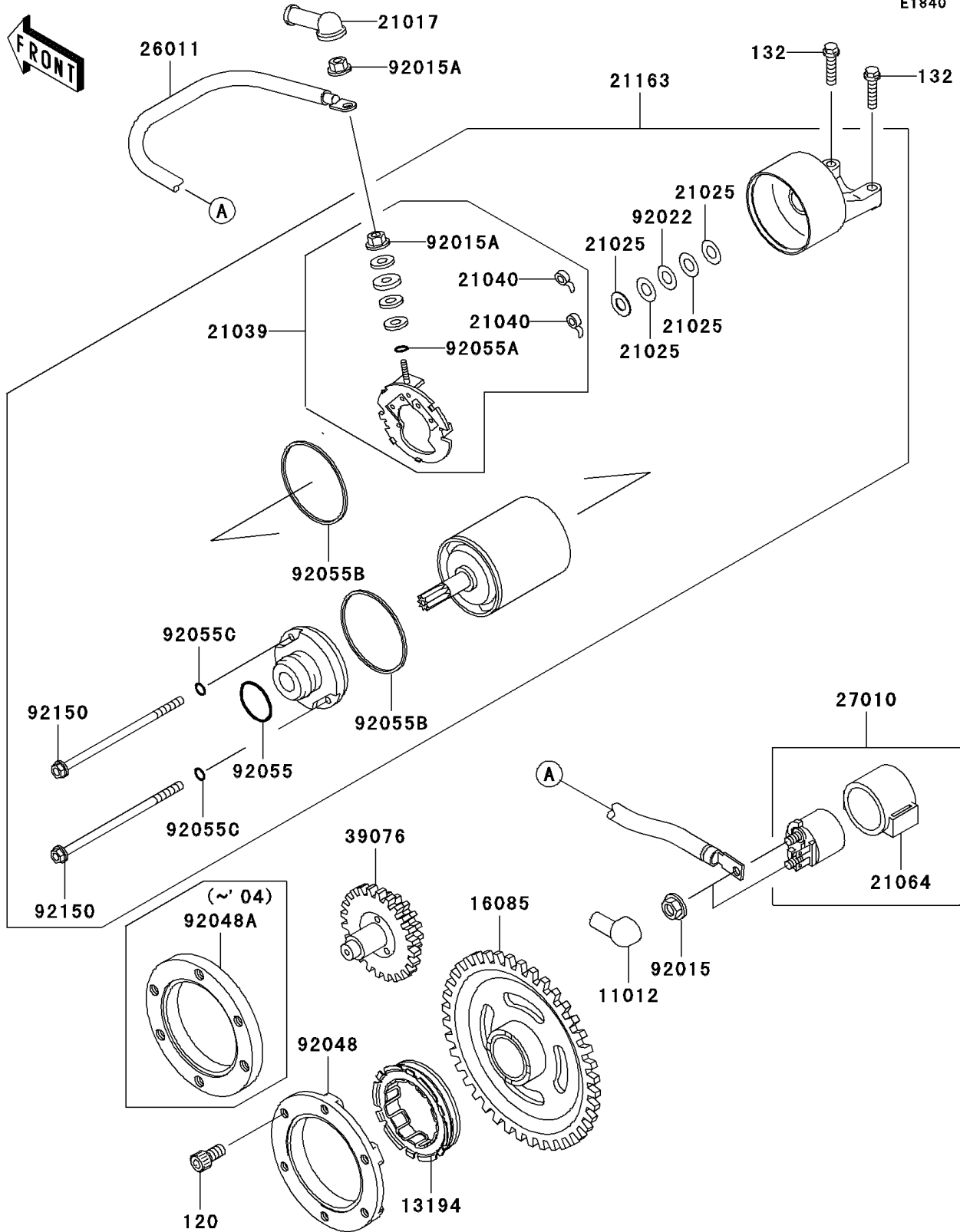


# 2003 Prairie 360 4X4 PARTS DIAGRAM

Starter Motor

E1840



## 2003 Prairie 360 4X4 PARTS LIST

### Starter Motor

| ITEM NAME                              | PART NUMBER | QUANTITY |
|----------------------------------------|-------------|----------|
| BOLT-SOCKET (Ref # 120)                | 120P0816    | 6        |
| BOLT-FLANGED-SMALL (Ref # 132)         | 132Y0625    | 2        |
| CAP,TERMINAL (Ref # 11012)             | 11012-1354  | 1        |
| CLUTCH-ONEWAY (Ref # 13194)            | 13194-1094  | 1        |
| GEAR,STARTER (Ref # 16085)             | 16085-1346  | 1        |
| GROMMET,STARTER TERMINAL (Ref # 21017) | 21017-017   | 1        |
| WASHER,9.1X18X0.2 (Ref # 21025)        | 21025-011   | AR       |
| BRUSH (Ref # 21039)                    | 21039-1066  | 1        |
| SPRING-BRUSH (Ref # 21040)             | 21040-1057  | 2        |
| DAMPER,MAGNETIC SWITCH (Ref # 21064)   | 21064-002   | 1        |
| STARTER-ELECTRIC (Ref # 21163)         | 21163-1328  | 1        |
| WIRE-LEAD,STARTER MOTOR (Ref # 26011)  | 26011-1709  | 1        |
| SWITCH,MAGNETIC (Ref # 27010)          | 27010-1098  | 1        |
| LIMITER,STARTER (Ref # 39076)          | 39076-1066  | 1        |
| NUT,FLANGED,6MM (Ref # 92015)          | 92015-1193  | 2        |
| NUT,STARTER MOTOR (Ref # 92015A)       | 92015-1476  | 2        |
| WASHER,9.1X18X0.8 (Ref # 92022)        | 92022-1132  | 1        |
| RACE,ONEWAY CLUTCH (Ref # 92048A)      | 92048-1090  | 1        |
| RING-O (Ref # 92055)                   | 92055-1276  | 1        |
| RING-O,4.5X2.0 (Ref # 92055A)          | 92055-1370  | 1        |
| RING-O (Ref # 92055B)                  | 92055-1550  | 2        |
| RING-O (Ref # 92055C)                  | 92055-1551  | 2        |
| BOLT (Ref # 92150)                     | 92150-1969  | 2        |