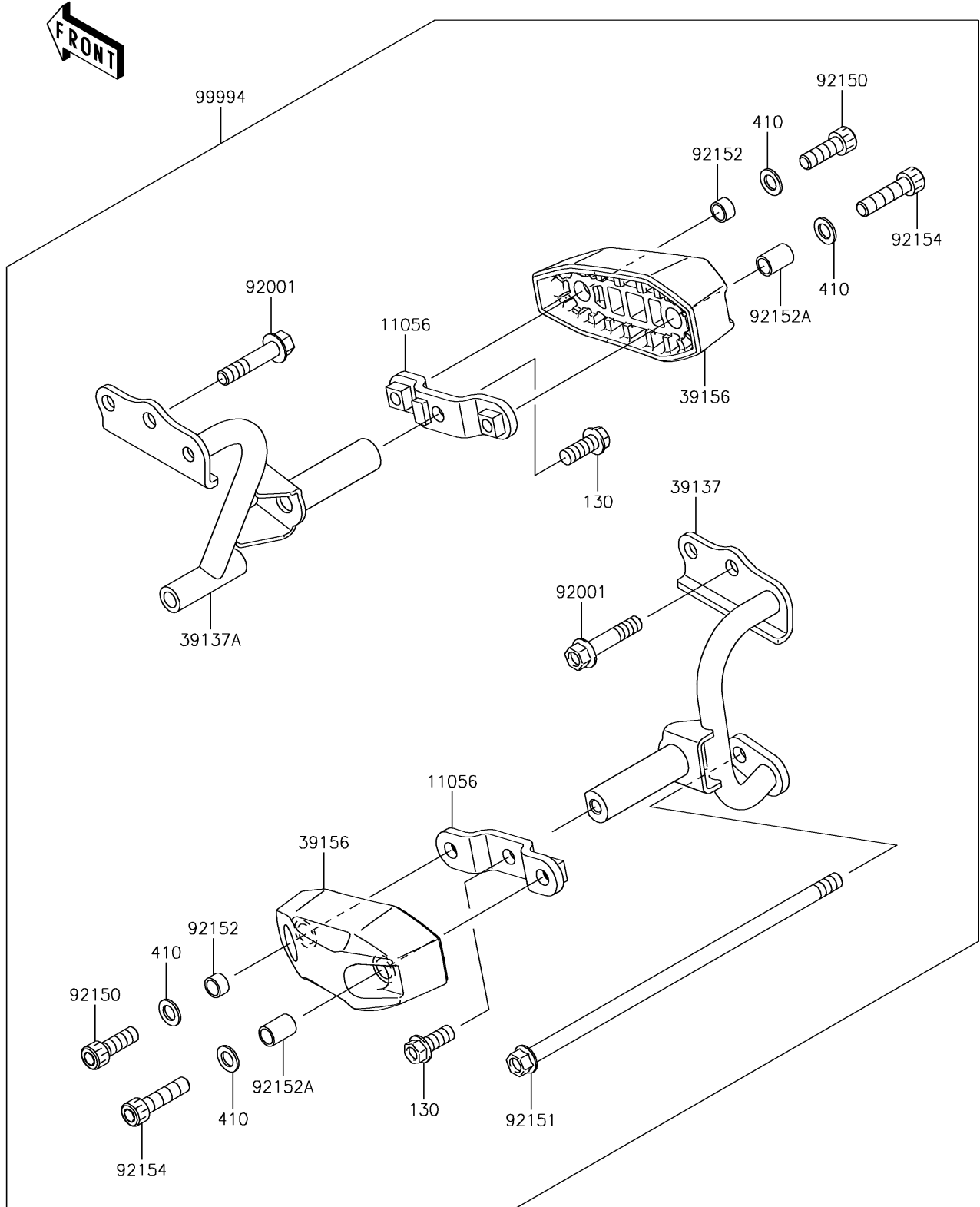


# 2016 Ninja 300 ABS KRT Edition PARTS DIAGRAM

Accessory(Engine Guard)

F2910A



## 2016 Ninja 300 ABS KRT Edition PARTS LIST

### Accessory(Engine Guard)

ITEM NAME	PART NUMBER	QUANTITY
BRACKET (Ref # 11056)	11056-2117	2
BOLT-FLANGED,10X25 (Ref # 130)	130BB1025	2
STAY-COMP (Ref # 39137)	39137-0568	1
STAY-COMP (Ref # 39137A)	39137-0569	1
PAD,ENGINE GUARD (Ref # 39156)	39156-0758	2
WASHER-PLAIN-SMALL,10MM,BLACK (Ref # 410)	410AB1000	4
BOLT,BLACK,10X47 (Ref # 92001)	92001-1522	4
BOLT,SOCKET,10X30 (Ref # 92150)	92150-1690	2
BOLT,FLANGED,10X280 (Ref # 92151)	92151-1916	1
COLLAR,10.6X13.8X7.8 (Ref # 92152)	92152-1661	2
COLLAR,10.6X13.8X19.8 (Ref # 92152A)	92152-1662	2
BOLT,SOCKET,10X40 (Ref # 92154)	92154-1084	2
KIT-ACCESSORY,ENGINE GUARD (Ref # 99994)	99994-0355	1