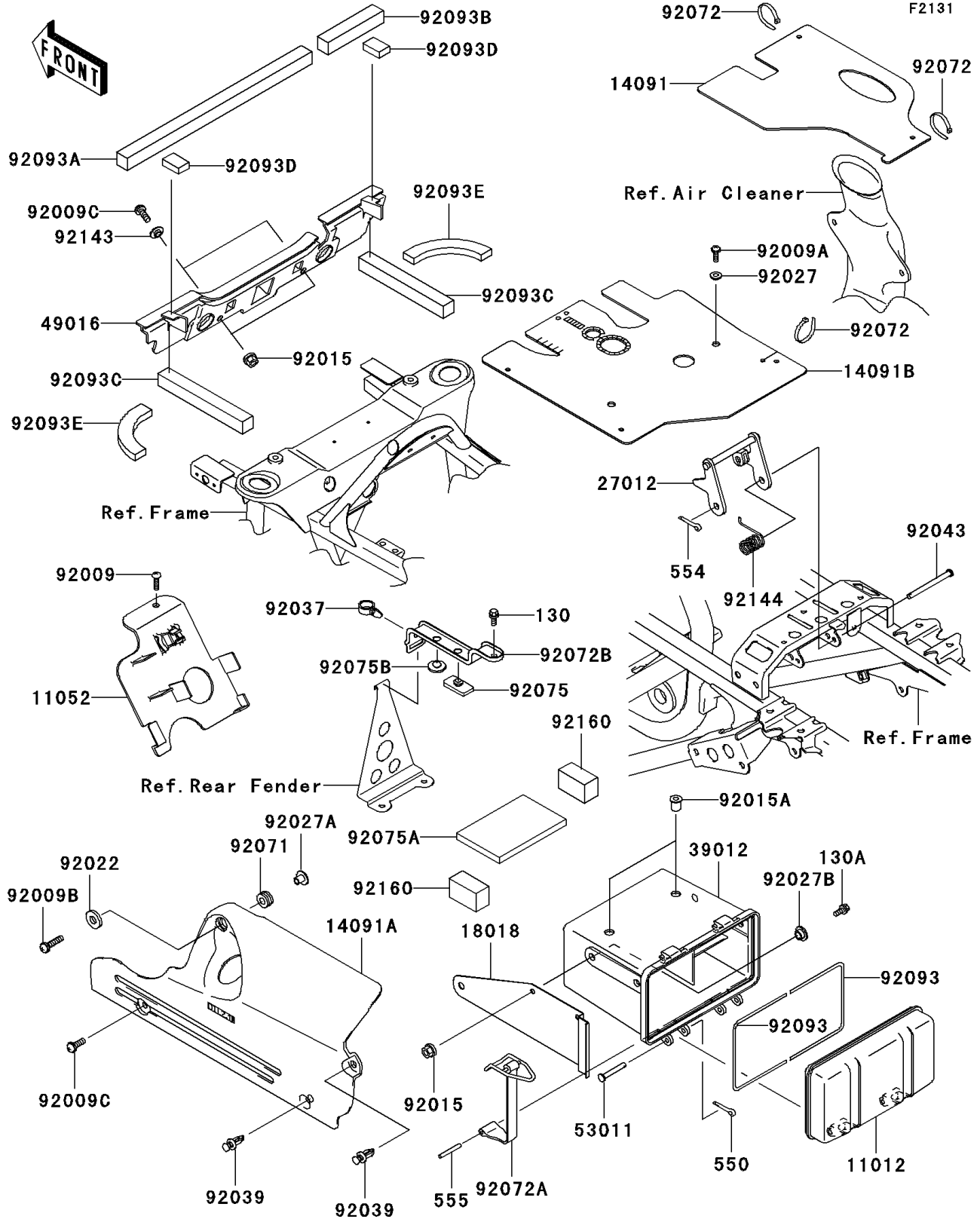


# 2004 Prairie 360 4X4 PARTS DIAGRAM

## Frame Fittings



## 2004 Prairie 360 4X4 PARTS LIST

### Frame Fittings

| ITEM NAME                                  | PART NUMBER   | QUANTITY |
|--|---------------|----------|
| BOLT-FLANGED,6X14 (Ref # 130)              | 130J0614      | 1        |
| CAP,STORAGE CASE (Ref # 11012)             | 11012-1951    | 1        |
| BRACKET,ELECTRIC BASE (Ref # 11052)        | 11052-7529    | 1        |
| COVER,CARBURETOR (Ref # 14091)             | 14091-7516    | 1        |
| COVER,ENGINE,F.BLACK (Ref # 14091A)        | 14091-7524-6Z | 1        |
| COVER,CYLINDER HEAD BRACKET (Ref # 14091B) | 14091-7526    | 1        |
| PLATE-HEAT GUARD (Ref # 18018)             | 18018-7501    | 1        |
| HOOK,SEAT (Ref # 27012)                    | 27012-1381    | 1        |
| CASE-STORAGE (Ref # 39012)                 | 39012-7501    | 1        |
| COVER-SEAL (Ref # 49016)                   | 49016-1221    | 1        |
| PIN,6X39 (Ref # 53011)                     | 53011-006     | 2        |
| SCREW,TAPPING,6X16 (Ref # 92009)           | 92009-1166    | 1        |
| SCREW,TAPPING,5X10 (Ref # 92009A)          | 92009-1332    | 2        |
| SCREW,6X25 (Ref # 92009B)                  | 92009-1465    | 1        |
| SCREW,6X16 (Ref # 92009C)                  | 92009-1621    | 3        |
| NUT,FLANGED,6MM,BLACK (Ref # 92015)        | 92015-1233    | 6        |
| NUT (Ref # 92015A)                         | 92015-1700    | 2        |
| WASHER,7X18X1.2 (Ref # 92022)              | 92022-1545    | 1        |
| COLLAR,L=4.6 (Ref # 92027)                 | 92027-1168    | 2        |
| COLLAR,FLANGED,L=12.1,BLACK (Ref # 92027A) | 92027-1651    | 1        |
| COLLAR,L=5.6 (Ref # 92027B)                | 92027-1933    | 4        |
| CLAMP,HOSE (Ref # 92037)                   | 92037-1827    | 1        |
| RIVET (Ref # 92039)                        | 92039-1229    | 2        |
| PIN,6X77 (Ref # 92043)                     | 92043-1367    | 1        |
| GROMMET (Ref # 92071)                      | 92071-3716    | 1        |
| BAND,L=188 (Ref # 92072)                   | 92072-1239    | 6        |
| BAND,STORAGE CASE (Ref # 92072A)           | 92072-1337    | 2        |
| BAND,BATTERY (Ref # 92072B)                | 92072-7501    | 1        |
| DAMPER (Ref # 92075)                       | 92075-1054    | 1        |

## 2004 Prairie 360 4X4 PARTS LIST

### Frame Fittings

| ITEM NAME                      | PART NUMBER | QUANTITY |
|--------------------------------|-------------|----------|
| DAMPER,BATTERY (Ref # 92075A)  | 92075-1997  | 1        |
| DAMPER,RUBBER (Ref # 92075B)   | 92075-261   | 1        |
| SEAL (Ref # 92093)             | 92093-1457  | 2        |
| SEAL (Ref # 92093A)            | 92093-1577  | 1        |
| SEAL (Ref # 92093B)            | 92093-1578  | 1        |
| SEAL (Ref # 92093C)            | 92093-1580  | 2        |
| SEAL (Ref # 92093D)            | 92093-1581  | 2        |
| SEAL (Ref # 92093E)            | 92093-1582  | 2        |
| COLLAR (Ref # 92143)           | 92143-1087  | 2        |
| SPRING,SEAT HOOK (Ref # 92144) | 92144-1174  | 1        |
| DAMPER (Ref # 92160)           | 92160-1744  | 2        |
| BOLT-FLANGED,6X16 (Ref # 130A) | 130J0616    | 4        |
| PIN-COTTER,2.0X12 (Ref # 550)  | 550D2012    | 2        |
| PIN-SNAP (Ref # 554)           | 554A0600    | 1        |
| PIN-SPRING (Ref # 555)         | 555A0436    | 2        |