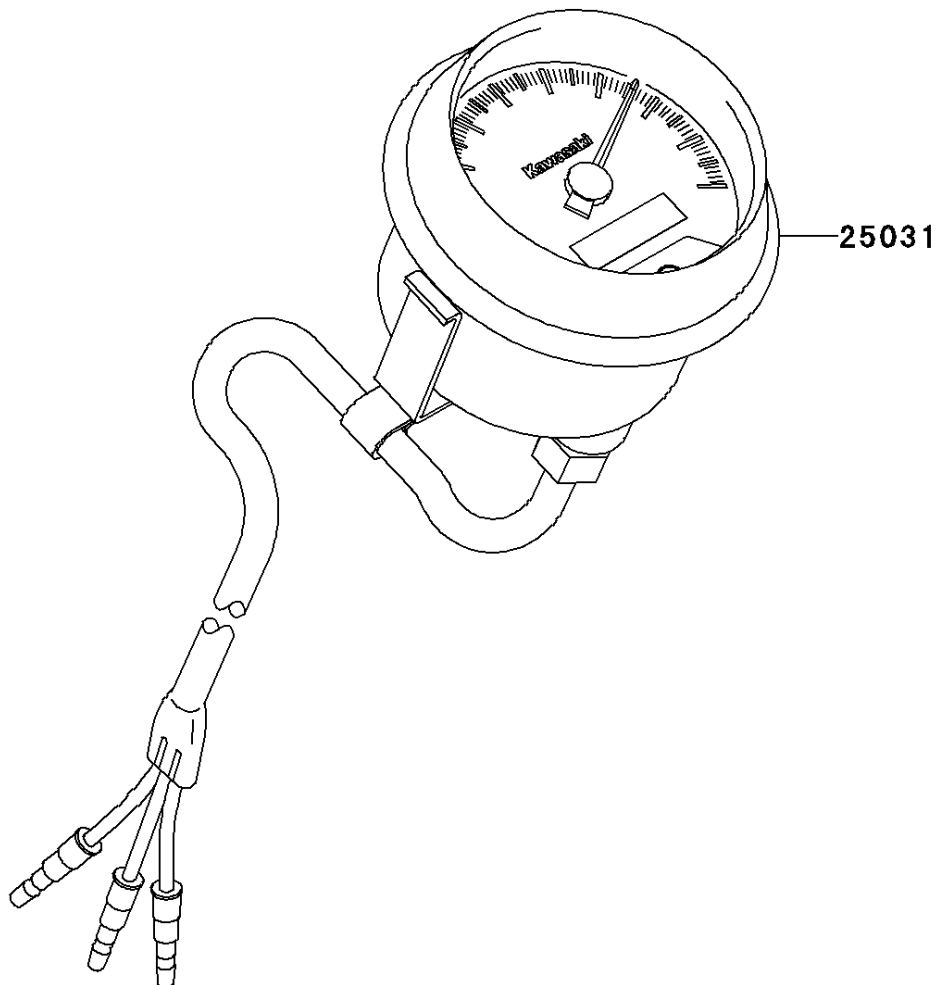


# 2003 Prairie 360 4X4 PARTS DIAGRAM

Optional Parts(US)(Meter)

F2890



## 2003 Prairie 360 4X4 PARTS LIST

Optional Parts(US)(Meter)

ITEM NAME	PART NUMBER	QUANTITY
METER-ASSY,MPH (Ref # 25031)	25031-0008	1