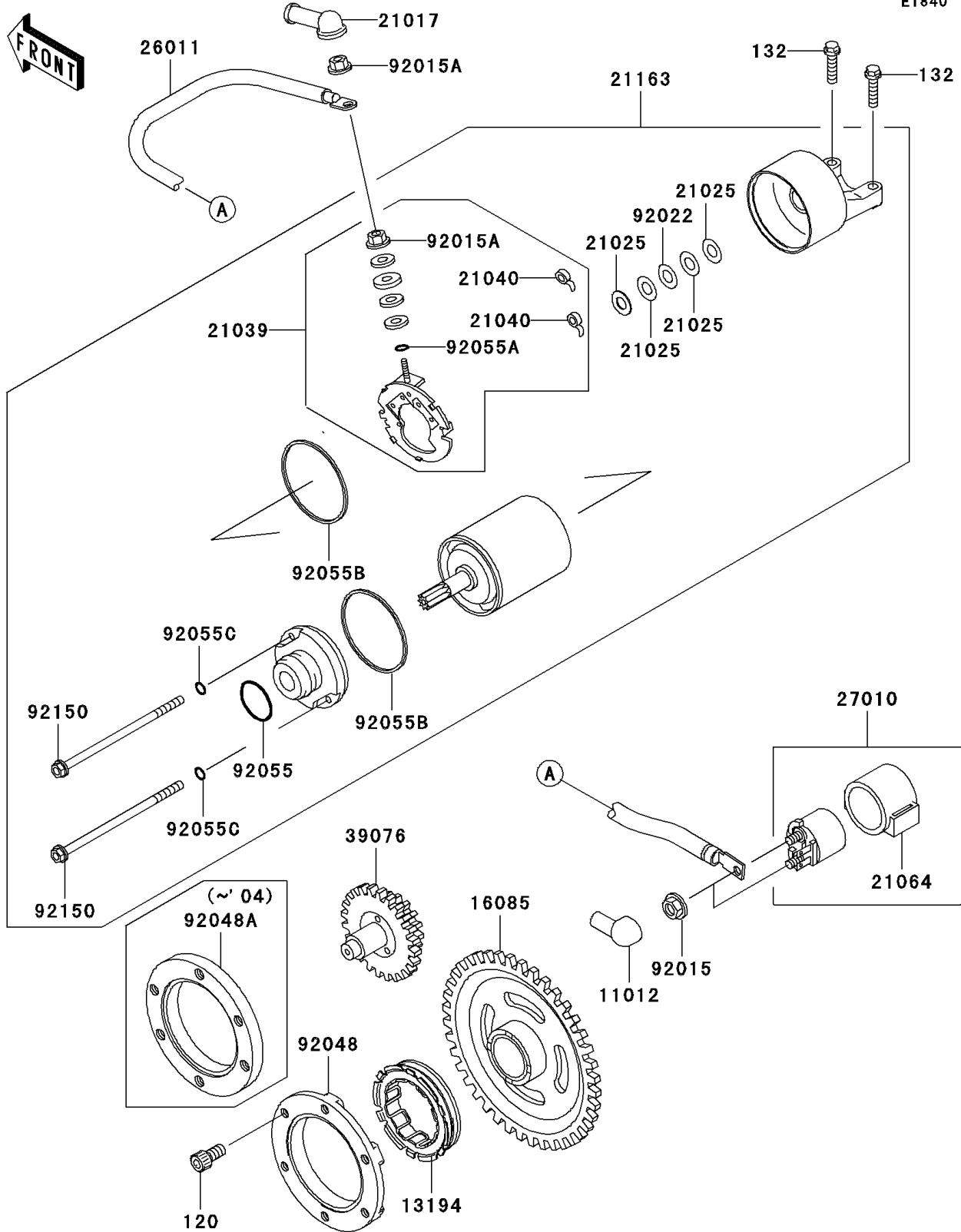


2004 Prairie 360 PARTS DIAGRAM

Starter Motor

E1840



2004 Prairie 360 PARTS LIST

Starter Motor

| ITEM NAME | PART NUMBER | QUANTITY |
|--|-------------|----------|
| BOLT-SOCKET (Ref # 120) | 120P0816 | 6 |
| BOLT-FLANGED-SMALL (Ref # 132) | 132Y0625 | 2 |
| CAP,TERMINAL (Ref # 11012) | 11012-1354 | 1 |
| CLUTCH-ONEWAY (Ref # 13194) | 13194-1094 | 1 |
| GEAR,STARTER (Ref # 16085) | 16085-1346 | 1 |
| GROMMET,STARTER TERMINAL (Ref # 21017) | 21017-017 | 1 |
| WASHER,9.1X18X0.2 (Ref # 21025) | 21025-011 | AR |
| BRUSH (Ref # 21039) | 21039-1066 | 1 |
| SPRING-BRUSH (Ref # 21040) | 21040-1057 | 2 |
| DAMPER,MAGNETIC SWITCH (Ref # 21064) | 21064-002 | 1 |
| STARTER-ELECTRIC (Ref # 21163) | 21163-1328 | 1 |
| WIRE-LEAD,STARTER MOTOR (Ref # 26011) | 26011-1709 | 1 |
| SWITCH,MAGNETIC (Ref # 27010) | 27010-1098 | 1 |
| LIMITER,STARTER (Ref # 39076) | 39076-1066 | 1 |
| NUT,FLANGED,6MM (Ref # 92015) | 92015-1193 | 2 |
| NUT,STARTER MOTOR (Ref # 92015A) | 92015-1476 | 2 |
| WASHER,9.1X18X0.8 (Ref # 92022) | 92022-1132 | 1 |
| RACE,ONEWAY CLUTCH (Ref # 92048A) | 92048-1090 | 1 |
| RING-O (Ref # 92055) | 92055-1276 | 1 |
| RING-O,4.5X2.0 (Ref # 92055A) | 92055-1370 | 1 |
| RING-O (Ref # 92055B) | 92055-1550 | 2 |
| RING-O (Ref # 92055C) | 92055-1551 | 2 |
| BOLT (Ref # 92150) | 92150-1969 | 2 |