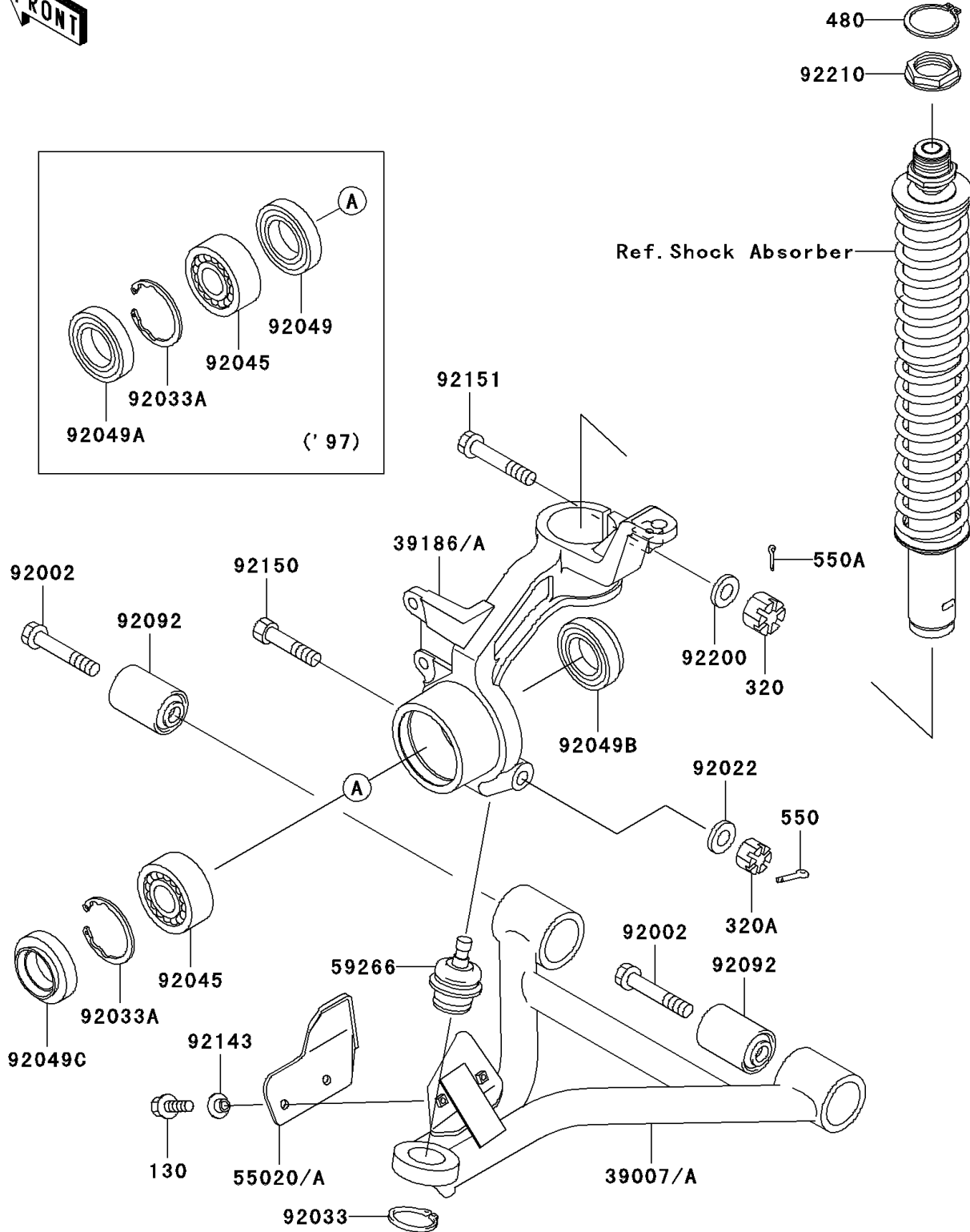


# 1998 Prairie 400 4X4 PARTS DIAGRAM

Suspension

F2150



# 1998 Prairie 400 4X4 PARTS LIST

## Suspension

ITEM NAME	PART NUMBER	QUANTITY
BOLT-FLANGED,6X14,BLACK (Ref # 130)	130J0614	4
NUT-CASTLE (Ref # 320)	320G1200	2
NUT-CASTLE (Ref # 320A)	320H1000	2
CIRCLIP-TYPE-C,32MM (Ref # 480)	480J3200	2
PIN-COTTER,2.0X15 (Ref # 550)	550D2015	2
PIN-COTTER,3.0X25 (Ref # 550A)	550D3025	2
ARM-SUSP,FR,LH,LWR (Ref # 39007)	39007-1259	1
ARM-SUSP,FR,RH,LWR (Ref # 39007A)	39007-1260	1
KNUCKLE,FR,LH (Ref # 39186)	39186-1100	1
KNUCKLE,FR,RH (Ref # 39186A)	39186-1101	1
GUARD,LH (Ref # 55020)	55020-1623	1
GUARD,RH (Ref # 55020A)	55020-1624	1
JOINT-BALL (Ref # 59266)	59266-1098	2
BOLT,FLANGED,12X67 (Ref # 92002)	92002-1861	4
WASHER,10.2X16X1 (Ref # 92022)	92022-1829	2
RING-SNAP,30MM (Ref # 92033)	92033-1218	2
RING-SNAP,55MM (Ref # 92033A)	92033-1274	2
BEARING-BALL,DAC3055C2RKCD3 (Ref # 92045)	92045-1222	2
SEAL-OIL,MT038N1 (Ref # 92049B)	92049-1476	2
SEAL-OIL,SDD04 38 55 8 (Ref # 92049C)	92049-1477	2
BUSHING-RUBBER (Ref # 92092)	92092-1065	4
COLLAR (Ref # 92143)	92143-1331	4
BOLT,10X44 (Ref # 92150)	92150-1226	2
BOLT,FLANGED,12X65.5 (Ref # 92151)	92151-1101	2
WASHER,12.3X23X2.3 (Ref # 92200)	92200-1004	2
NUT,35MM (Ref # 92210)	92210-1066	2