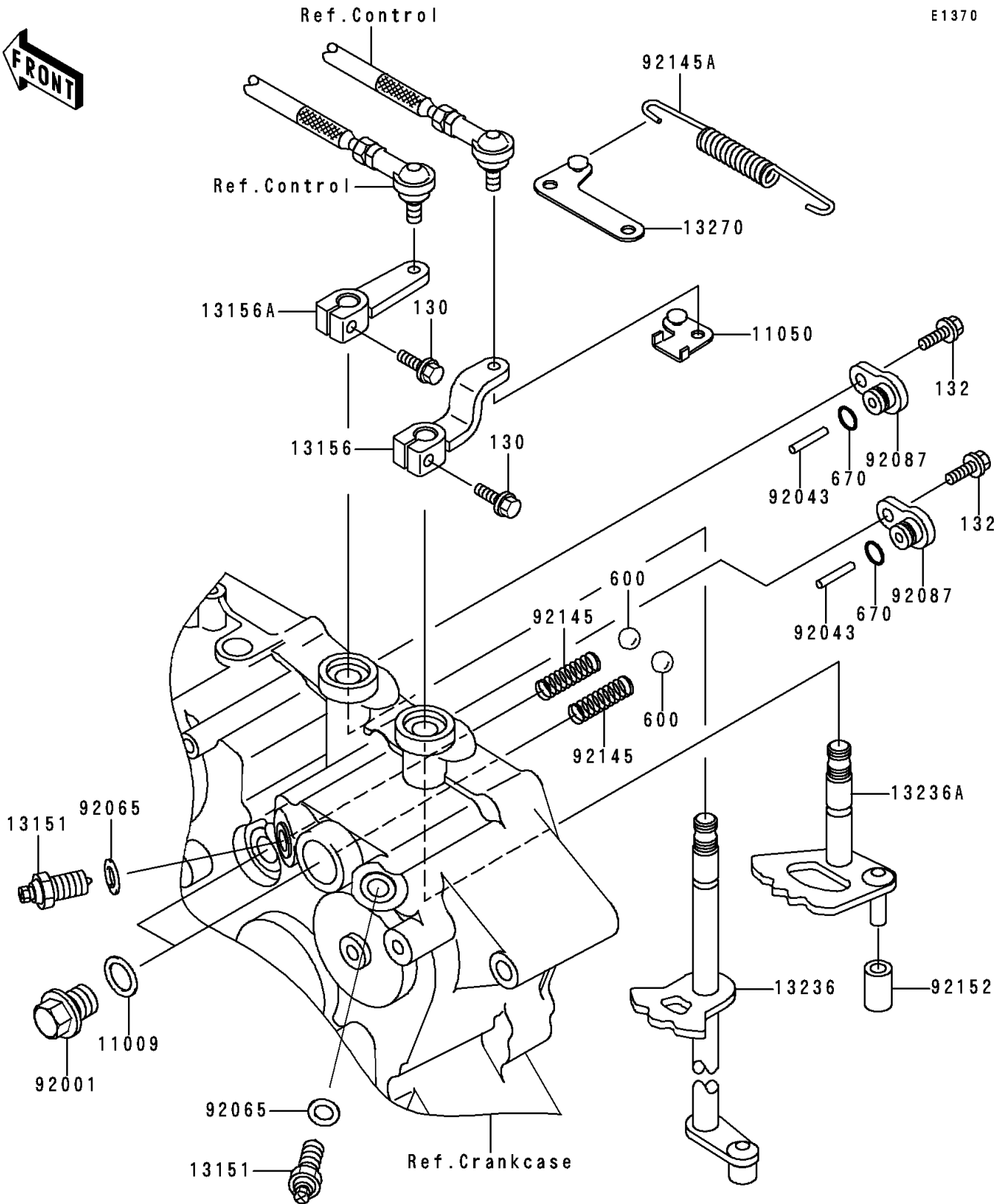


1998 Prairie 400 PARTS DIAGRAM

Gear Change Mechanism

E1370



1998 Prairie 400 PARTS LIST

Gear Change Mechanism

ITEM NAME	PART NUMBER	QUANTITY
BOLT-FLANGED,6X20 (Ref # 130)	130P0620	2
BOLT-FLANGED-SMALL (Ref # 132)	132J0614	2
BALL-STEEL,13/32" (Ref # 600)	600A1300	2
O RING,10MM (Ref # 670)	670D1510	2
GASKET,15.5X22X1 (Ref # 11009)	11009-1008	2
BRACKET (Ref # 11050)	11050-1386	1
SWITCH-COMP,NEUTRAL (Ref # 13151)	13151-1069	2
LEVER-CHANGE,FORWARD/REVERSE (Ref # 13156)	13156-1394	1
LEVER-CHANGE,HI/LOW (Ref # 13156A)	13156-1395	1
LEVER-COMP,HI/LOW (Ref # 13236)	13236-1292	1
LEVER-COMP,FORWARD/REVERSE (Ref # 13236A)	13236-1313	1
PLATE (Ref # 13270)	13270-1850	1
BOLT,NEUTRAL POSITION (Ref # 92001)	92001-1037	2
PIN (Ref # 92043)	92043-1415	2
GASKET,10.5X16X1,DRAIN PLUG (Ref # 92065)	92065-058	2
BUSHING-METER GEAR (Ref # 92087)	92087-1058	2
SPRING (Ref # 92145)	92145-1075	2
SPRING (Ref # 92145A)	92145-1079	1
COLLAR,LEVER (Ref # 92152)	92152-1073	1