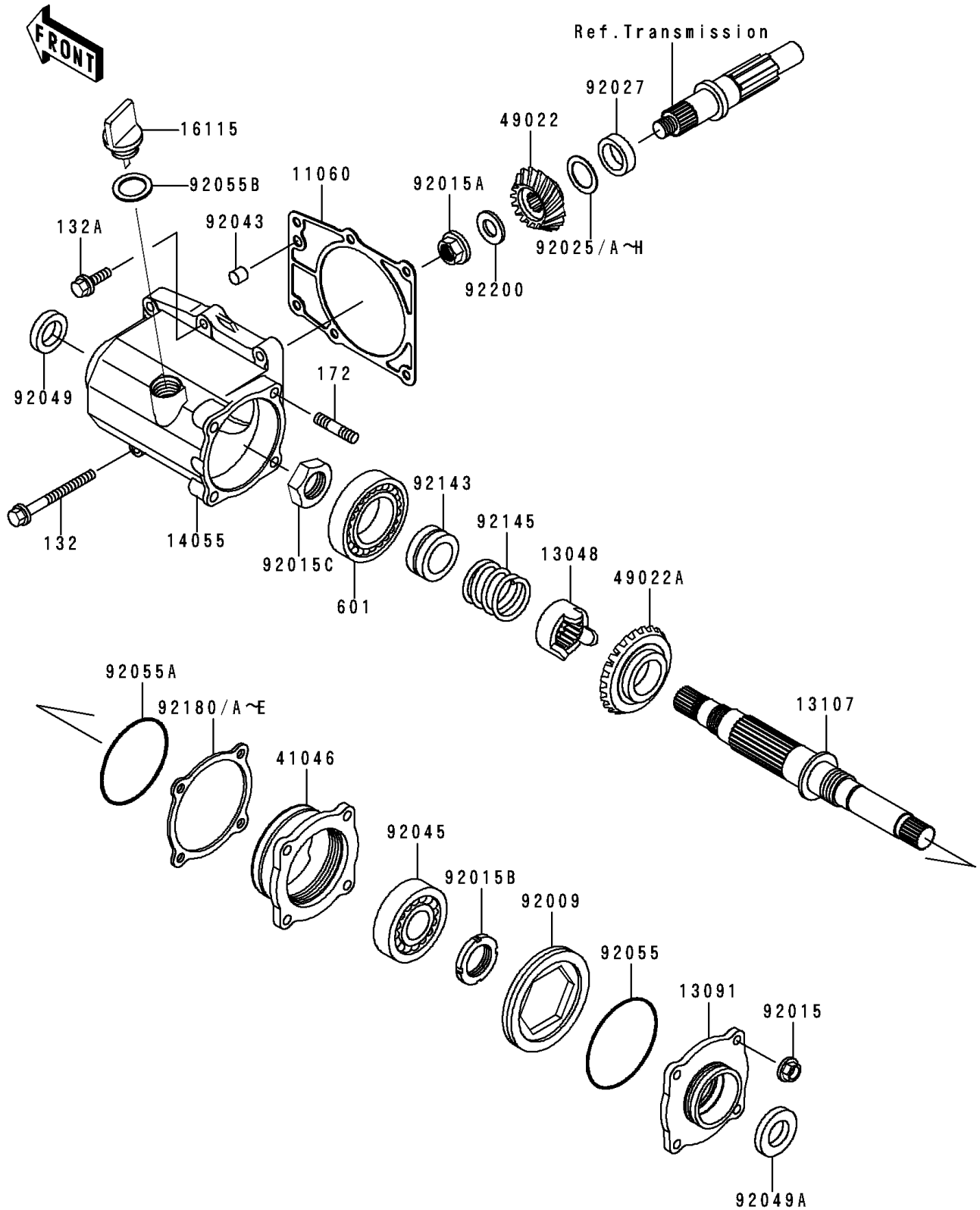


1998 Prairie 400 PARTS DIAGRAM

Front Bevel Gear

E3131



1998 Prairie 400 PARTS LIST

Front Bevel Gear

ITEM NAME	PART NUMBER	QUANTITY
GASKET,GEAR CASE (Ref # 11060)	11060-1728	1
CAM-DAMPER (Ref # 13048)	13048-1080	1
HOLDER (Ref # 13091)	13091-1950	1
SHAFT (Ref # 13107)	13107-1364	1
CASE-GEAR (Ref # 14055)	14055-1127	1
CAP-OIL FILLER (Ref # 16115)	16115-1065	1
HOUSING-BEARING (Ref # 41046)	41046-1094	1
GEAR-BEVEL,14T (Ref # 49022)	49022-1151	1
GEAR-BEVEL,20T (Ref # 49022A)	49022-1155	1
SCREW (Ref # 92009)	92009-1667	1
NUT,8MM (Ref # 92015)	92015-1402	4
NUT (Ref # 92015A)	92015-1581	1
NUT,30MM (Ref # 92015B)	92015-1858	1
NUT,26MM (Ref # 92015C)	92015-1990	1
SHIM,25.3X36X0.15 (Ref # 92025)	92025-1688	AR
SHIM,25.3X36X0.50 (Ref # 92025A)	92025-1689	AR
SHIM,25.3X36X0.60 (Ref # 92025B)	92025-1690	AR
SHIM,25.3X36X0.70 (Ref # 92025C)	92025-1691	AR
SHIM,25.3X36X0.80 (Ref # 92025D)	92025-1692	AR
SHIM,25.3X36X0.90 (Ref # 92025E)	92025-1693	AR
SHIM,25.3X36X1.00 (Ref # 92025F)	92025-1694	AR
SHIM,25.3X36X1.10 (Ref # 92025G)	92025-1695	AR
SHIM,25.3X36X1.20 (Ref # 92025H)	92025-1696	AR
COLLAR,25.3X36X10 (Ref # 92027)	92027-1968	1
PIN,DOWEL,10X14 (Ref # 92043)	92043-1037	1
BEARING-BALL,6306SH2 (Ref # 92045)	92045-1190	1
SEAL-OIL,AE1252E0 (Ref # 92049)	92049-1395	1
SEAL-OIL,AE1265E0 (Ref # 92049A)	92049-1400	1
RING-O (Ref # 92055)	92055-081	1

1998 Prairie 400 PARTS LIST

Front Bevel Gear

ITEM NAME	PART NUMBER	QUANTITY
RING-O,79.5MM (Ref # 92055A)	92055-1230	1
RING-O,20MM (Ref # 92055B)	92055-2185	1
COLLAR (Ref # 92143)	92143-1900	1
SPRING,BEVEL (Ref # 92145)	92145-1099	1
SHIM,T=1.00 (Ref # 92180)	92180-1126	AR
SHIM,T=0.10 (Ref # 92180A)	92180-1127	AR
SHIM,T=0.15 (Ref # 92180B)	92180-1128	AR
SHIM,T=0.50 (Ref # 92180C)	92180-1129	AR
SHIM,T=0.80 (Ref # 92180D)	92180-1130	AR
SHIM,T=1.20 (Ref # 92180E)	92180-1131	AR
WASHER,16.3X31X3.2 (Ref # 92200)	92200-1104	1
BOLT-FLANGED-SMALL (Ref # 132)	132Y08100	2
BOLT-FLANGED-SMALL (Ref # 132A)	132Y0835	4
BOLT-STUD,8X30 (Ref # 172)	172G0830	4
BEARING-BALL (Ref # 601)	601A6209	1