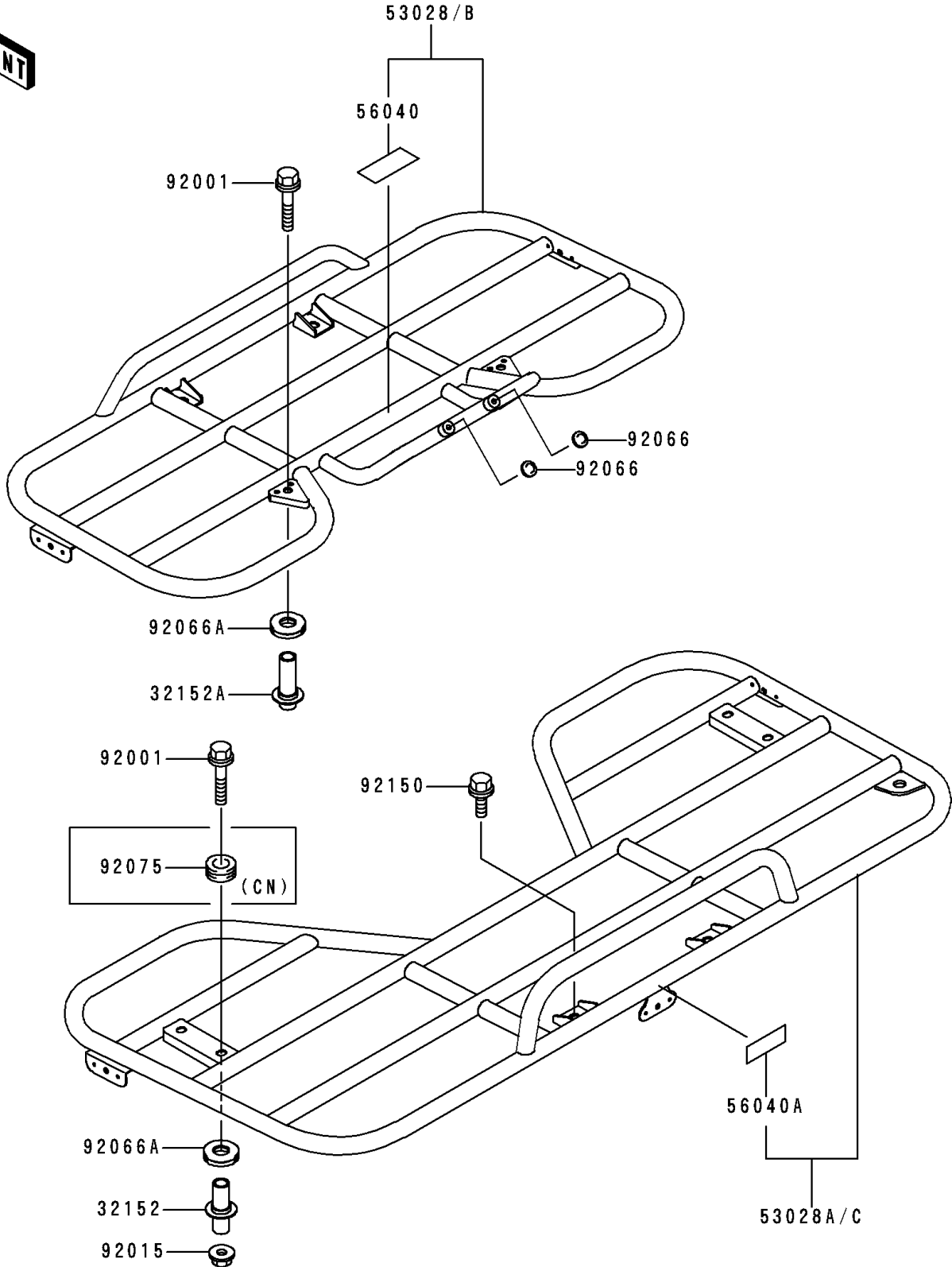


1998 Prairie 400 PARTS DIAGRAM

Carrier(s)

F2520



1998 Prairie 400 PARTS LIST

Carrier(s)

ITEM NAME	PART NUMBER	QUANTITY
PIPE,REAR CARRIER (Ref # 32152)	32152-1066	2
PIPE,FRONT CARRIER (Ref # 32152A)	32152-1067	2
LABEL-WARNING,MAXIMUM LOAD (Ref # 56040)	56040-1321	1
LABEL-WARNING,MAXIMUM LOAD (Ref # 56040A)	56040-1322	1
BOLT,FLANGED,8X75,BLACK (Ref # 92001)	92001-1642	4
NUT,FLANGED,LOCK,8MM (Ref # 92015)	92015-1696	2
PLUG (Ref # 92066A)	92066-1438	4
BOLT,8X12 (Ref # 92150)	92150-1780	2
CARRIER-ASSY,FR,S.GRAY (Ref # 53028)	53028-1078-1U	1
CARRIER-ASSY,RR,S.GRAY (Ref # 53028A)	53028-1079-1U	1
CARRIER-ASSY,FR,S.GRAY (Ref # 53028B)	53028-1080-1U	1
CARRIER-ASSY,RR,S.GRAY (Ref # 53028C)	53028-1081-1U	1
PLUG,5.5X3 (Ref # 92066)	92066-1267	2
DAMPER (Ref # 92075)	92075-1086	2