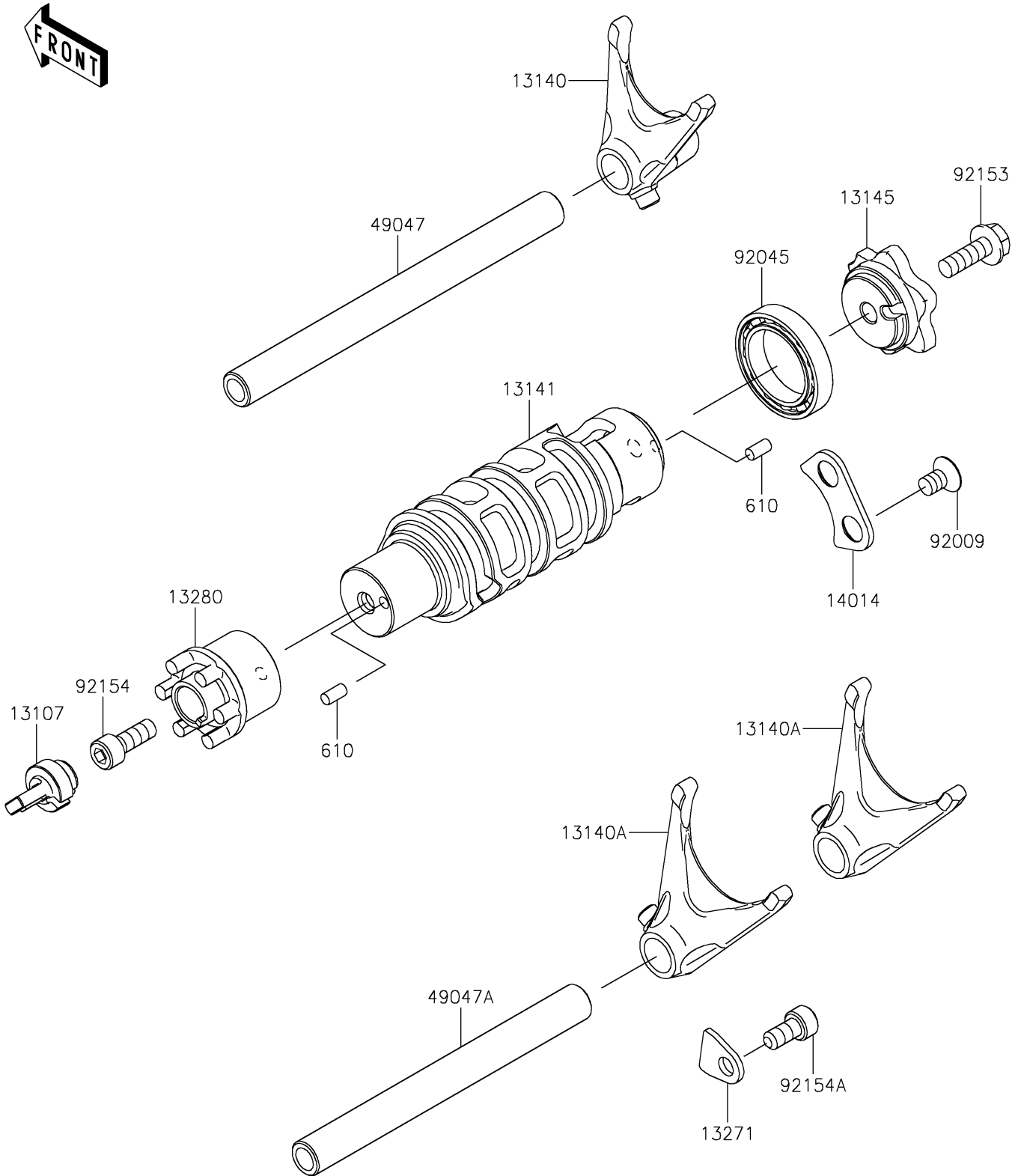


2017 Z650 PARTS DIAGRAM

Gear Change Drum/Shift Fork(s)

E1362



2017 Z650 PARTS LIST

Gear Change Drum/Shift Fork(s)

| ITEM NAME | PART NUMBER | QUANTITY |
|----------------------------------|-------------|----------|
| SHAFT (Ref # 13107) | 13107-0843 | 1 |
| FORK-SHIFT,INPUT (Ref # 13140) | 13140-0025 | 1 |
| FORK-SHIFT,OUTPUT (Ref # 13140A) | 13140-0026 | 2 |
| DRUM-CHANGE (Ref # 13141) | 13141-0568 | 1 |
| CAM-CHANGE DRUM (Ref # 13145) | 13145-0573 | 1 |
| PLATE (Ref # 13271) | 13271-0626 | 1 |
| HOLDER (Ref # 13280) | 13280-0875 | 1 |
| PLATE-POSITION (Ref # 14014) | 14014-0018 | 1 |
| ROD-SHIFT,INPUT (Ref # 49047) | 49047-0631 | 1 |
| ROD-SHIFT,OUTPUT (Ref # 49047A) | 49047-0632 | 1 |
| ROLLER,4X8 (Ref # 610) | 610A0408 | 2 |
| SCREW,6X10 (Ref # 92009) | 92009-1375 | 2 |
| BEARING-BALL,6805 (Ref # 92045) | 92045-1122 | 1 |
| BOLT,FLANGED,6X18 (Ref # 92153) | 92153-0958 | 1 |
| BOLT,SOCKET,6X16 (Ref # 92154) | 92154-0484 | 1 |
| BOLT,SOCKET,6X12 (Ref # 92154A) | 92154-0812 | 1 |