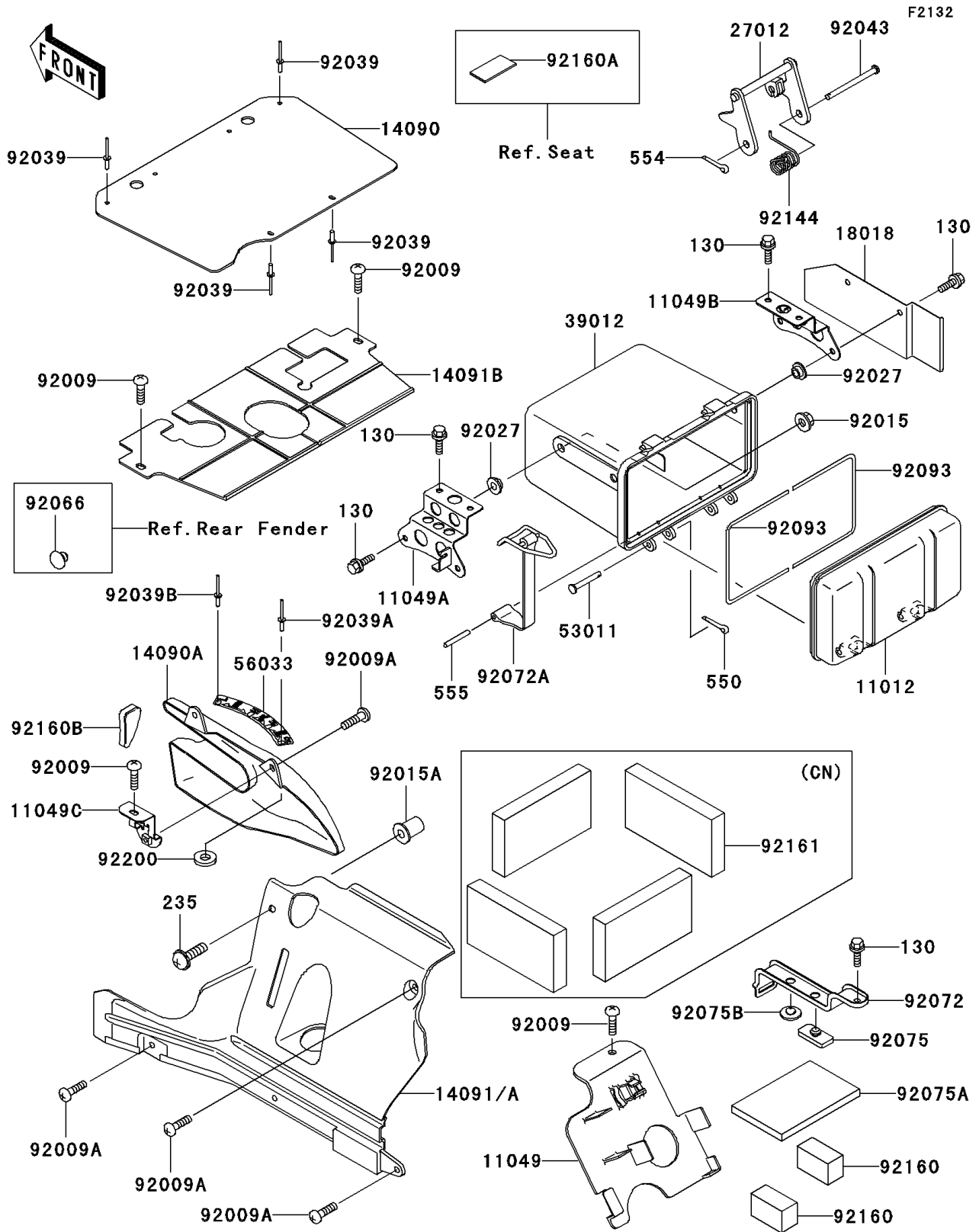


# 2000 Prairie 400 4X4 PARTS DIAGRAM

## Battery Case



# 2000 Prairie 400 4X4 PARTS LIST

Battery Case

ITEM NAME	PART NUMBER	QUANTITY
-----------	-------------	----------