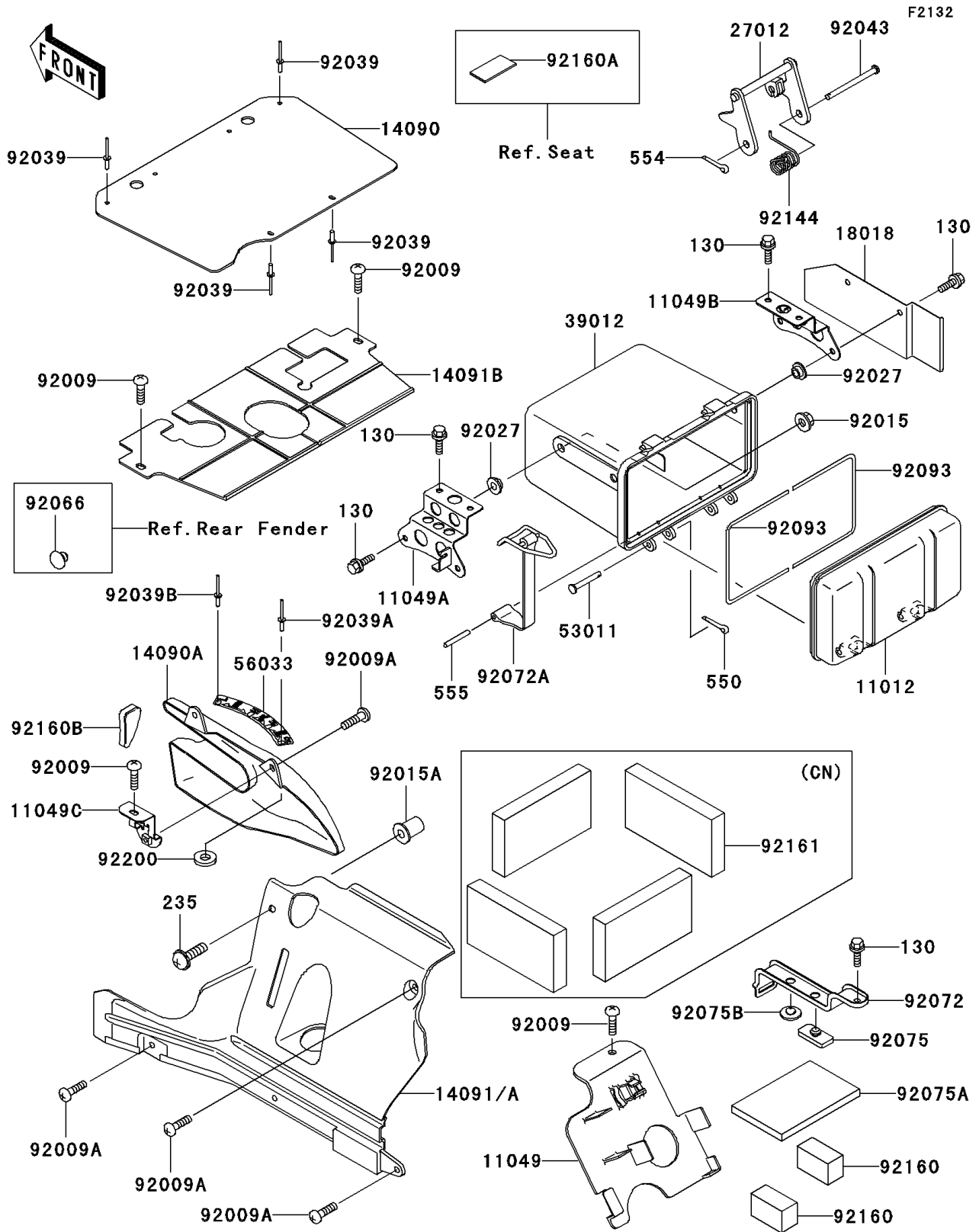


2002 Prairie 400 4X4 PARTS DIAGRAM

Battery Case



2002 Prairie 400 4X4 PARTS LIST

Battery Case

| ITEM NAME | PART NUMBER | QUANTITY |
|--|---------------|----------|
| CAP,STORAGE CASE (Ref # 11012) | 11012-1951 | 1 |
| BRACKET,ELECTRIC BASE (Ref # 11049) | 11049-1516 | 1 |
| BRACKET,STORAGE CASE,LH (Ref # 11049A) | 11049-1733 | 1 |
| BRACKET,STORAGE CASE,RH (Ref # 11049B) | 11049-1734 | 1 |
| BRACKET (Ref # 11049C) | 11049-1738 | 1 |
| COVER,FRONT COVER (Ref # 14090) | 14090-1723 | 1 |
| COVER,SHIFT LEVER (Ref # 14090A) | 14090-1973 | 1 |
| COVER,ENGINE,LH,F.BLACK (Ref # 14091A) | 14091-1173-6Z | 1 |
| COVER,REAR COVER (Ref # 14091B) | 14091-1379 | 1 |
| PLATE-HEAT GUARD (Ref # 18018) | 18018-1127 | 1 |
| HOOK,SEAT (Ref # 27012) | 27012-1381 | 1 |
| CASE-STORAGE (Ref # 39012) | 39012-1059 | 1 |
| PIN,6X39 (Ref # 53011) | 53011-006 | 2 |
| LABEL-MANUAL,SHIFT PATTERN (Ref # 56033) | 56033-1142 | 1 |
| SCREW,TAPPING,6X16 (Ref # 92009) | 92009-1166 | 4 |
| SCREW,6X16 (Ref # 92009A) | 92009-1621 | 5 |
| NUT,FLANGED,6MM,BLACK (Ref # 92015) | 92015-1233 | 4 |
| NUT,WELL,5MM (Ref # 92015A) | 92015-1757 | 1 |
| COLLAR,L=5.6 (Ref # 92027) | 92027-1933 | 4 |
| RIVET (Ref # 92039) | 92039-1233 | 4 |
| RIVET (Ref # 92039A) | 92039-1244 | 1 |
| RIVET,3.2X8 (Ref # 92039B) | 92039-3763 | 1 |
| PIN,6X77 (Ref # 92043) | 92043-1367 | 1 |
| PLUG (Ref # 92066) | 92066-1485 | 1 |
| BAND,BATTERY (Ref # 92072) | 92072-1333 | 1 |
| BAND,STORAGE CASE (Ref # 92072A) | 92072-1337 | 2 |
| DAMPER (Ref # 92075) | 92075-1054 | 1 |
| DAMPER,RUBBER (Ref # 92075B) | 92075-261 | 1 |
| SEAL (Ref # 92093) | 92093-1457 | 2 |

2002 Prairie 400 4X4 PARTS LIST

Battery Case

| ITEM NAME | PART NUMBER | QUANTITY |
|------------------------------------|-------------|----------|
| SPRING,SEAT HOOK (Ref # 92144) | 92144-1174 | 1 |
| DAMPER (Ref # 92160A) | 92160-1846 | 1 |
| DAMPER (Ref # 92160B) | 92160-1946 | 1 |
| BOLT-FLANGED,6X14 (Ref # 130) | 130J0614 | 9 |
| SCREW-PAN-WP-CROS,5X16 (Ref # 235) | 235C0516 | 1 |
| PIN-COTTER,2.0X12 (Ref # 550) | 550D2012 | 2 |
| PIN-SNAP (Ref # 554) | 554A0600 | 1 |
| PIN-SPRING (Ref # 555) | 555A0436 | 2 |
| WASHER,3.5X8X1 (Ref # 92200) | 92200-1251 | 1 |
| DAMPER,BATTERY (Ref # 92075A) | 92075-1997 | 1 |
| DAMPER (Ref # 92160) | 92160-1744 | 2 |
| DAMPER,BATTERY (Ref # 92161) | 92161-1061 | 4 |