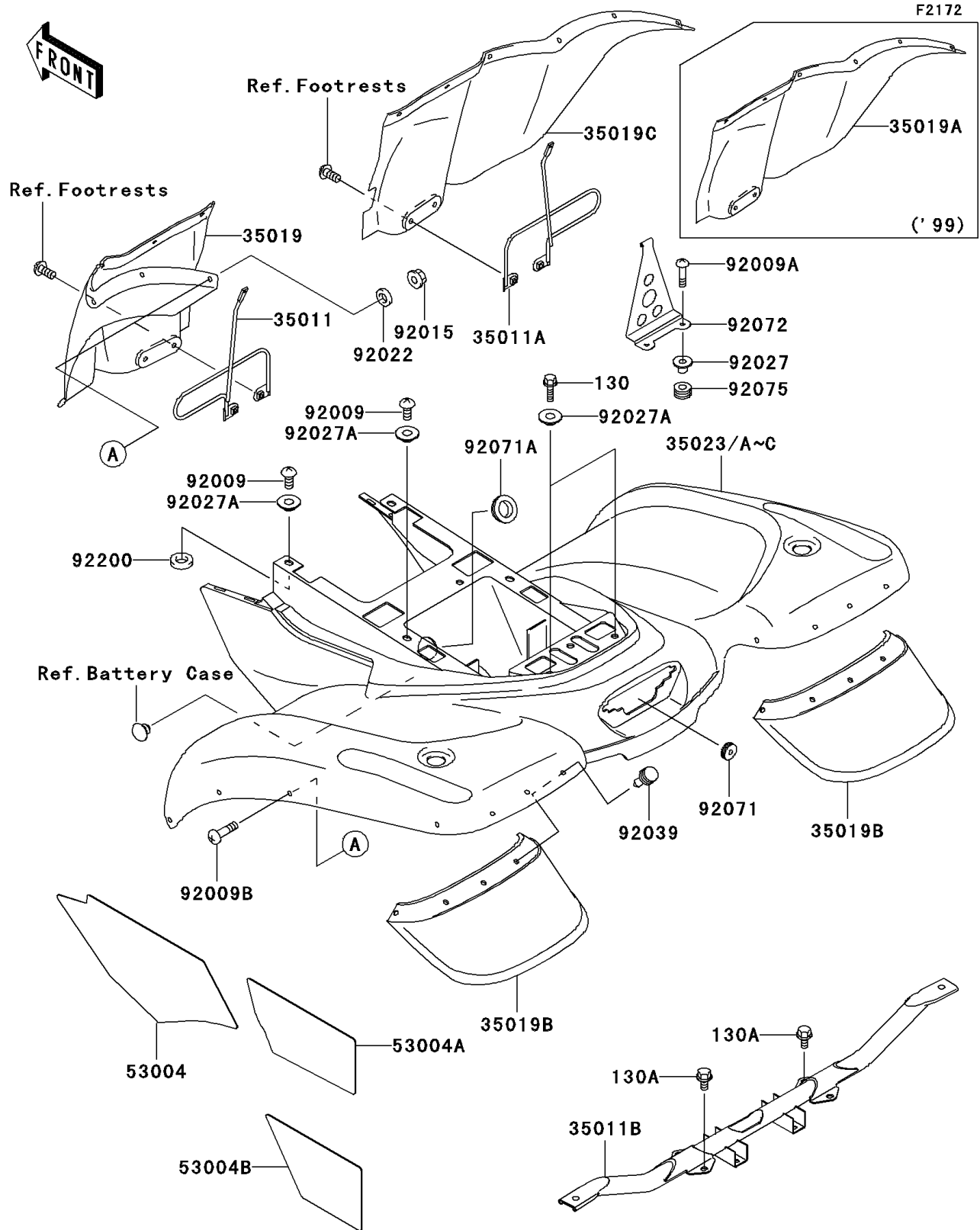


2001 Prairie 400 4X4 PARTS DIAGRAM

Rear Fender(s)



2001 Prairie 400 4X4 PARTS LIST

Rear Fender(s)

| ITEM NAME | PART NUMBER | QUANTITY |
|---|---------------|----------|
| BOLT-FLANGED,6X18 (Ref # 130) | 130C0618 | 2 |
| BOLT-FLANGED,8X16 (Ref # 130A) | 130J0816 | 4 |
| STAY,REAR FLAP,LH (Ref # 35011) | 35011-1759 | 1 |
| STAY,REAR FLAP,RH (Ref # 35011A) | 35011-1760 | 1 |
| STAY,REAR FENDER (Ref # 35011B) | 35011-1782 | 1 |
| FLAP,RR,FR,LH,F.BLACK (Ref # 35019) | 35019-1334-6Z | 1 |
| FLAP,RR,RR,F.BLACK (Ref # 35019B) | 35019-1336-6Z | 2 |
| FLAP,RR,FR,RH,F.BLACK (Ref # 35019C) | 35019-1375-6Z | 1 |
| FENDER-REAR,L.GREEN (Ref # 35023) | 35023-1494-6A | 1 |
| FENDER-REAR,F.RED (Ref # 35023A) | 35023-1494-6L | 1 |
| MAT,REAR FENDER (Ref # 53004) | 53004-1149 | 1 |
| MAT,REAR FENDER (Ref # 53004A) | 53004-1150 | 1 |
| MAT,REAR FENDER (Ref # 53004B) | 53004-1151 | 1 |
| SCREW,TAPPING,6X16 (Ref # 92009) | 92009-1166 | 4 |
| SCREW,6X25 (Ref # 92009A) | 92009-1465 | 2 |
| SCREW,6X16 (Ref # 92009B) | 92009-1621 | 12 |
| NUT,LOCK,FLANGED,6MM (Ref # 92015) | 92015-1675 | 12 |
| WASHER,6.5X16X1.0 (Ref # 92022) | 92022-1093 | 12 |
| COLLAR,FLANGED,L=12.1,BLACK (Ref # 92027) | 92027-1651 | 2 |
| COLLAR,L=4.7 (Ref # 92027A) | 92027-1964 | 6 |
| RIVET (Ref # 92039) | 92039-1229 | 10 |
| GROMMET,SENSOR LEAD (Ref # 92071) | 92071-1058 | 1 |
| GROMMET (Ref # 92071A) | 92071-1237 | 1 |
| BAND (Ref # 92072) | 92072-1361 | 1 |
| DAMPER,CASE (Ref # 92075) | 92075-222 | 2 |
| WASHER,8.5X20X2.3 (Ref # 92200) | 92200-1055 | 2 |