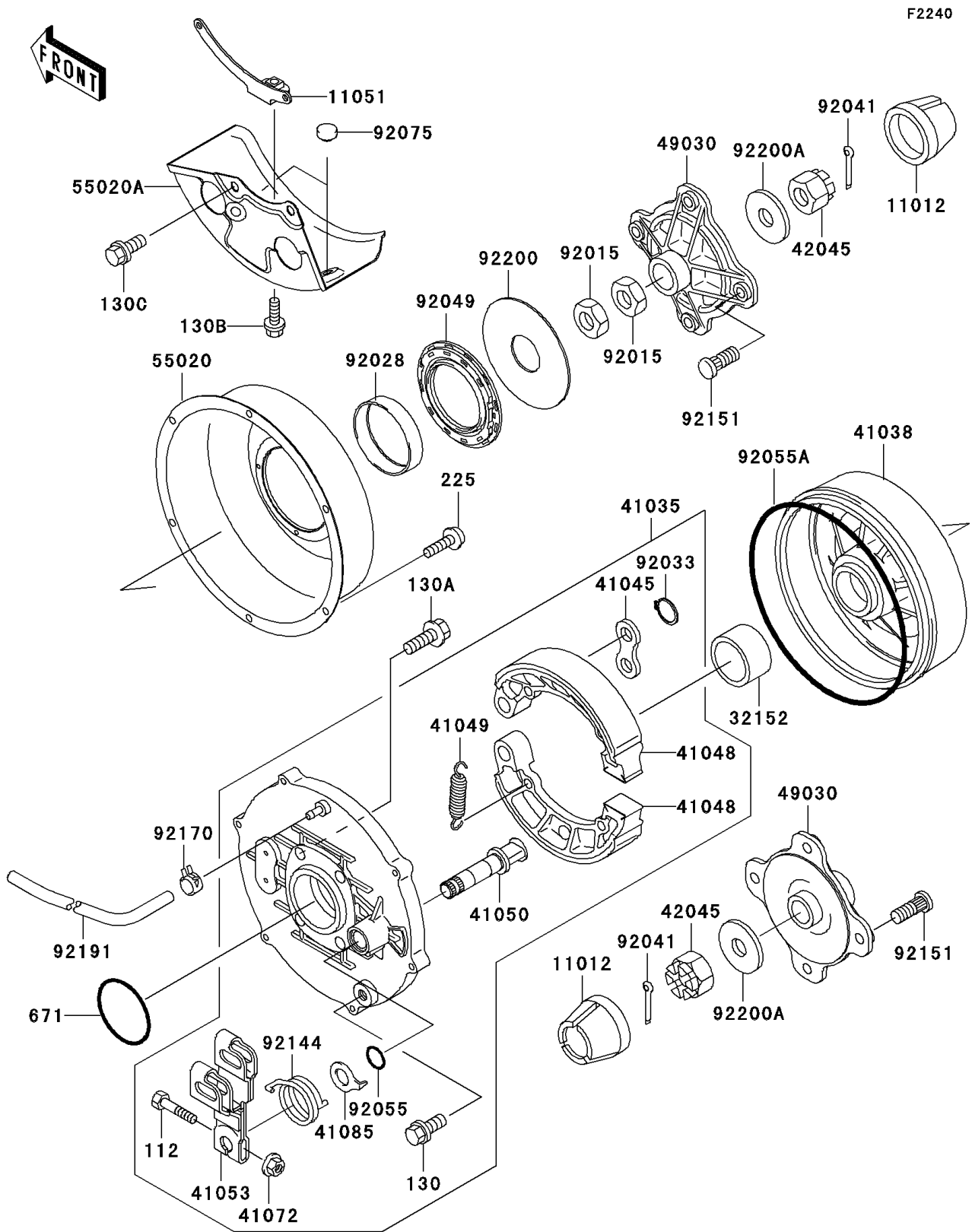


2001 Prairie 400 4X4 PARTS DIAGRAM

Rear Hub



2001 Prairie 400 4X4 PARTS LIST

Rear Hub

| ITEM NAME | PART NUMBER | QUANTITY |
|---------------------------------------|-------------|----------|
| BOLT-UPSET,6X40 (Ref # 112) | 112H0640 | 1 |
| BOLT-FLANGED,10X12 (Ref # 130) | 130B1012 | 1 |
| BOLT-FLANGED,10X30 (Ref # 130A) | 130G1030 | 4 |
| BOLT-FLANGED,8X12 (Ref # 130B) | 130J0812 | 1 |
| BOLT-FLANGED,8X16 (Ref # 130C) | 130J0816 | 2 |
| SCREW-PAN-WSP-CROS,6X16 (Ref # 225) | 225C0616 | 6 |
| O RING,70MM (Ref # 671) | 671B2570 | 1 |
| CAP,WHEEL (Ref # 11012) | 11012-1969 | 2 |
| BRACKET,GUARD (Ref # 11051) | 11051-1205 | 1 |
| PIPE,40X50.8X28 (Ref # 32152) | 32152-1082 | 1 |
| PANEL-ASSY-BRAKE,RR (Ref # 41035) | 41035-1500 | 1 |
| DRUM,REAR BRAKE (Ref # 41038) | 41038-1308 | 1 |
| WASHER (Ref # 41045) | 41045-006 | 1 |
| SHOE-BRAKE (Ref # 41048) | 41048-1127 | 2 |
| SPRING,BRAKE SHOE (Ref # 41049) | 41049-012 | 2 |
| CAM-BRAKE (Ref # 41050) | 41050-1089 | 1 |
| LEVER-BRAKE CAM (Ref # 41053) | 41053-1084 | 1 |
| NUT,6MM (Ref # 41072) | 41072-007 | 1 |
| INDICATOR (Ref # 41085) | 41085-1086 | 1 |
| NUT,CASTLE,18MM (Ref # 42045) | 42045-018 | 2 |
| HUB,RR (Ref # 49030) | 49030-1122 | 2 |
| GUARD,REAR BRAKE (Ref # 55020) | 55020-1646 | 1 |
| GUARD (Ref # 55020A) | 55020-1685 | 1 |
| NUT,LOCK,37MM (Ref # 92015) | 92015-1545 | 2 |
| BUSHING (Ref # 92028) | 92028-1865 | 1 |
| RING-SNAP,15MM (Ref # 92033) | 92033-1250 | 2 |
| COTTER,4.0X35 (Ref # 92041) | 92041-1053 | 2 |
| SEAL-OIL,SD7 64X106X9ZS (Ref # 92049) | 92049-1485 | 1 |
| RING-O,ID=16.4 (Ref # 92055) | 92055-1376 | 1 |

2001 Prairie 400 4X4 PARTS LIST

Rear Hub

| ITEM NAME | PART NUMBER | QUANTITY |
|-----------------------------------|-------------|----------|
| RING-O (Ref # 92055A) | 92055-1582 | 1 |
| DAMPER (Ref # 92075) | 92075-1983 | 2 |
| SPRING (Ref # 92144) | 92144-1365 | 1 |
| BOLT,10X29.5 (Ref # 92151) | 92151-1392 | 8 |
| CLAMP (Ref # 92170) | 92170-2042 | 1 |
| TUBE,4.7X9.5X850 (Ref # 92191) | 92191-1292 | 1 |
| WASHER,37X111X2 (Ref # 92200) | 92200-1403 | 1 |
| WASHER,18.5X52X4.5 (Ref # 92200A) | 92200-1474 | 2 |