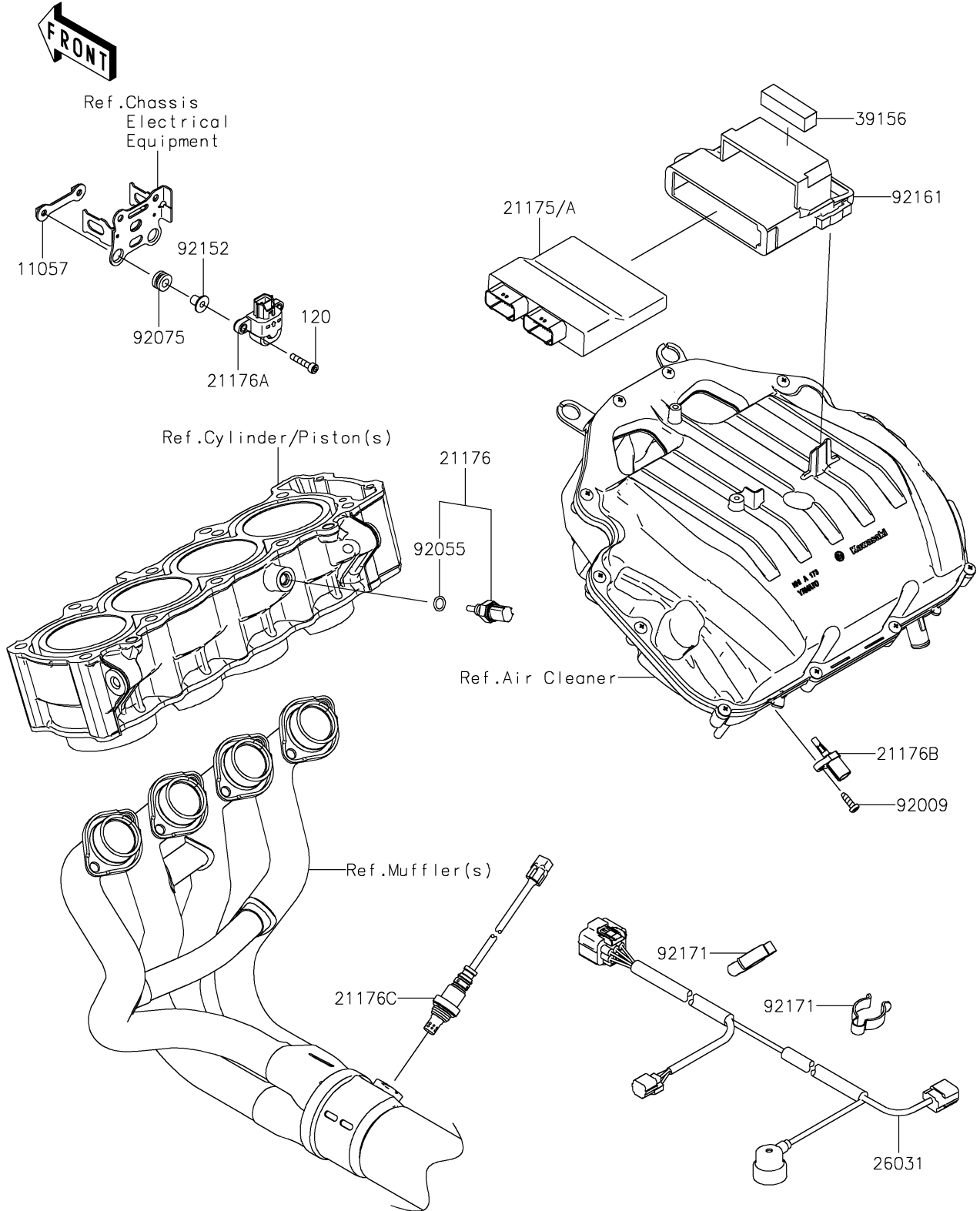


# 2018 Z900 PARTS DIAGRAM

## Fuel Injection

E1530



## 2018 Z900 PARTS LIST

### Fuel Injection

ITEM NAME	PART NUMBER	QUANTITY
BRACKET,VEHICLE DOWN (Ref # 11057)	11057-0287	1
BOLT-SOCKET,5X25 (Ref # 120)	120CA0525	2
CONTROL UNIT-ELECTRONIC (Ref # 21175)	21175-1226	1
CONTROL UNIT-ELECTRONIC (Ref # 21175A)	21175-1238	1
SENSOR,WATER TEMP (Ref # 21176)	21176-0009	1
SENSOR,VEHICLE-DOWN (Ref # 21176A)	21176-0026	1
SENSOR,AIR TEMPERATURE (Ref # 21176B)	21176-0048	1
SENSOR,OXYGEN (Ref # 21176C)	21176-0835	1
HARNESS,SUB (Ref # 26031)	26031-2159	1
PAD,15X55X15 (Ref # 39156)	39156-2129	1
SCREW,TAPPING,5X16 (Ref # 92009)	92009-1984	1
RING-O,9.5X1.9 (Ref # 92055)	92055-0016	1
DAMPER (Ref # 92075)	92075-1912	2
COLLAR,5.6X8X11.2 (Ref # 92152)	92152-1562	2
DAMPER,ECU (Ref # 92161)	92161-1870	1
CLAMP,CABLE (Ref # 92171)	92171-1283	2