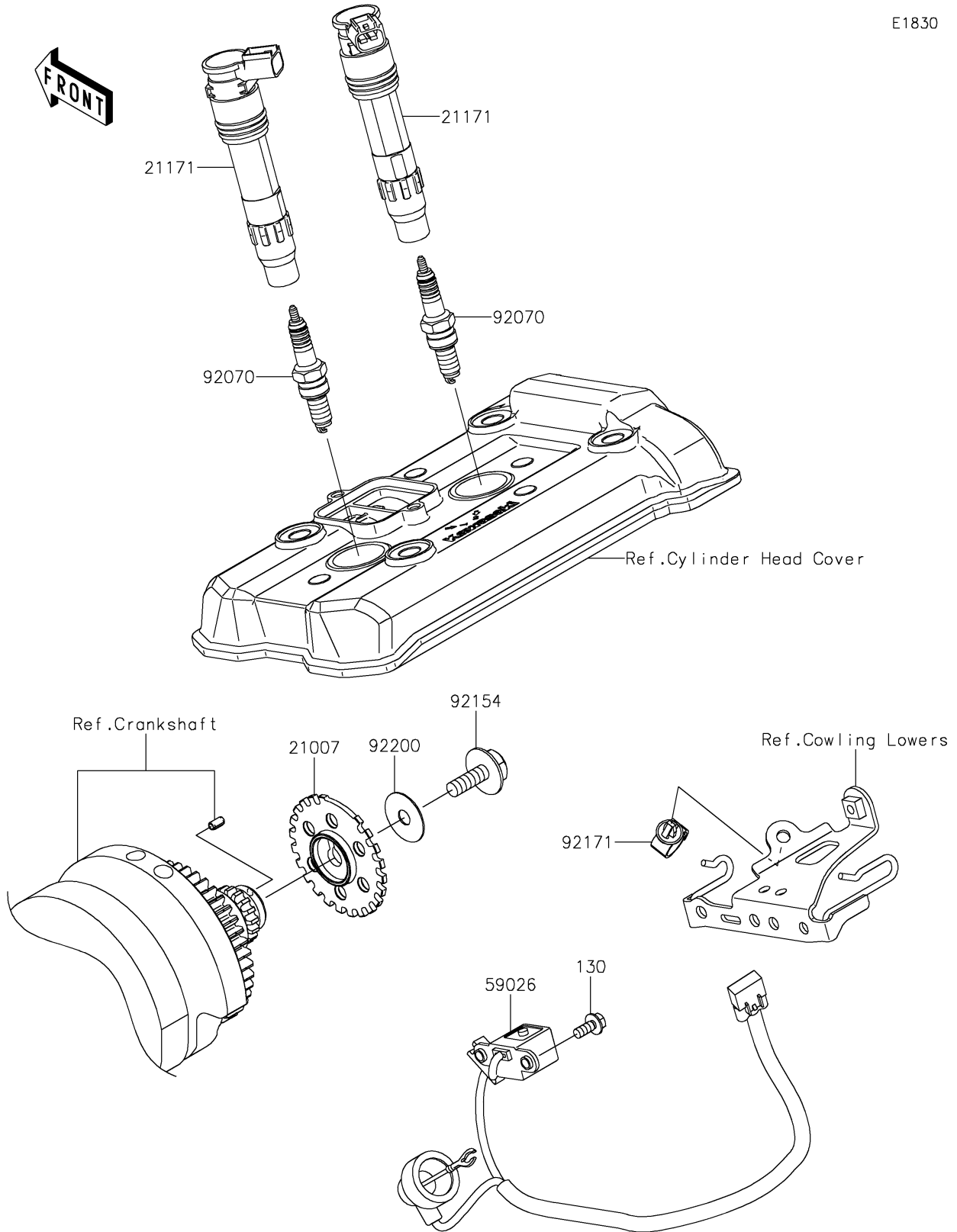


# 2019 NINJA® 650 ABS PARTS DIAGRAM

## Ignition System

E1830



## 2019 NINJA® 650 ABS PARTS LIST

### Ignition System

ITEM NAME	PART NUMBER	QUANTITY
BOLT-FLANGED,5X12 (Ref # 130)	130BA0512	2
ROTOR,PULSING (Ref # 21007)	21007-0053	1
COIL-ASSY-IGNITION (Ref # 21171)	21171-0033	2
COIL-PULSING (Ref # 59026)	59026-0045	1
PLUG-SPARK,CR9EIA(NGK) (Ref # 92070)	92070-0014	2
BOLT,FLANGED,8X23 (Ref # 92154)	92154-0187	1
CLAMP,13MM DIA. (Ref # 92171)	92171-1415	1
WASHER,8.5X28X0.8 (Ref # 92200)	92200-0274	1